

Zip HydroTap® G4 with ARC Tap

Boiling | Filtered | Instantly

Residential model HT2786UK, with new Zip G4 power-saving technology and Zip 0.2 micron filtration.



New under-sink Zip G4 Command-Centre™ leads the world in energy-saving technology, has a pin-code protected touch-screen to simplify adjustments and automatically monitors performance to give an operating history, if ever required.

HydroTap can be sited at the sink (shown in the main picture on the left), or on an optional front and drain (shown in the inset picture).

Boiling filtered water, instantly.

Features & Benefits - Energy saving

- Superior G4 insulation reduces standby energy consumption.
- Power-Pulse™ technology maintains boiling water within 2°C of set temperature.
- Boiling system is open outlet, vented; factory set to operate at 98°C.
- 'Sleeps' or 'powers-off', after 2 hours of non-use to minimise daily power consumption.
- Automatically 'sleeps' when kitchen goes dark.
- Integral 24/7 automatic timer to complement the user's lifestyle.
- Adjustable boiling temperature set-point.

Using the tap

- The tap may be installed for right or left hand usage.
- Choice of using the rotary control for fast cup filling or hands-free filling of large vessels.
- The select button enables the safe dispensing of boiling water. The safety button will ensure extra safety.

Healthier drinking

- Integral 0.2 micron NSF certified filtration system for healthier drinking water, eliminates the bad taste and odour of chlorine, heavy metals and impurities as tiny as one five-thousandth of a millimetre, but leaves beneficial fluoride.

Typical specification

Under-sink instant boiling filtered water system, equipped with:
 Multi-function, electronic tap control
 Integral 5 bar pressure limiting and dual check valve.
 NSF certified 0.2 micron filter.
 Full colour, interactive, touch screen control panel, with pin protection.
 Energy saving modes, including sensor activated 'sleep when dark' function.



Zip HydroTap® G4 with ARC Tap

Boiling | Filtered | Instantly

Model	Tap finish	Code	Boiling	Chilled	Sparkling	Ambient	Mixed hot & cold	Rating (kW @ 230V)	Dimensions W x D x H (mm)
B	Bright Chrome	HT2786UK	Y	N	N	N	N	1.43	280 x 313 x 335
B	Brushed Chrome	HT2786Z1UK	Y	N	N	N	N	1.43	280 x 313 x 335
B	Gloss Black	HT2786Z2UK	Y	N	N	N	N	1.43	280 x 313 x 335
B	Matt Black	HT2786Z3UK	Y	N	N	N	N	1.43	280 x 313 x 335

Order code shown here is for the model installed on a sink. To install on a 'font' also specify a font kit: See 'Accessories' below

Boiling System

Open outlet, vented system, factory set to operate at 98°C.

Flow rate 4.0 l/min.

Location

Tap must be positioned so that it drains into a suitable sink, or be installed on the optional "tap font kit" which is plumbed to waste.

Tap should be situated within 1 metre of and directly above, the under-sink Command Centre™. Maximum distance from the base of the tap to the Command Centre™ is 1 metre. Command Centre™ must have clearances as shown on the drawings.

Approvals

CE endorsed.

Plumbing

Must be installed in accordance with UK Water Supply Regulations.

Designed for direct connection to a potable (drinkable) cold water supply with a minimum pressure of 1.7 bar A 5 bar pressure limiting valve is fitted internally.

An isolating valve should be installed between the water supply and the Command Centre™.

Electrical

Installation must comply with current IEE regulations.

Connect to a 13 amp socket.

Caution

In hard water areas where mineral scale accumulation may be an issue, consideration should be given to the maintenance required. We recommend use of the Zip Professional high performance limescale filtration system.

Accessories

Zip G4 font kit
 Bright Chrome 93441UK
 Brushed Chrome 93441Z1UK
 Gloss Black 93441Z2UK
 Matt Black 93441Z3UK

ZT402 - Zip 0.2 micron replacement filter.
 FL1100G4 KIT - micron filtration kit.

Technical Support

Contact Zip on:

Tel: 0845 6 005 005 / 0345 6 005 005

e-mail: service@zipindustries.co.uk

Five Year Warranty

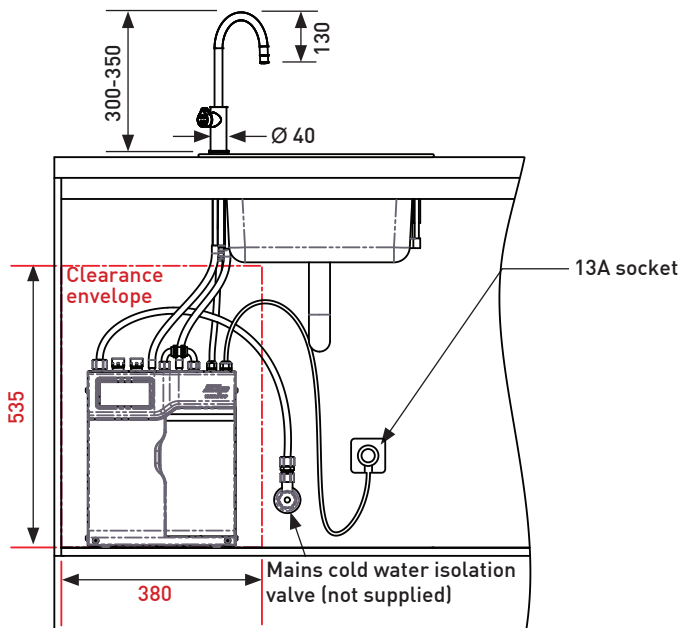
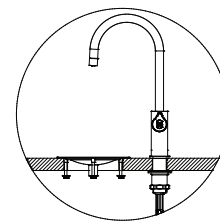
Appliance warranty
 36 months, plus additional
 24 months boiling tank warranty.



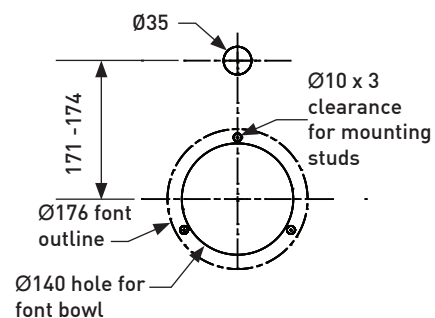
Sink detail



Font detail



Font cut-outs



Dimension in mm