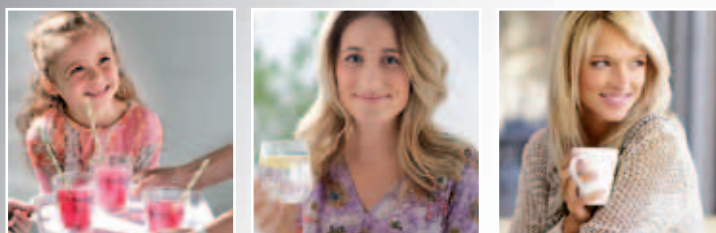


Zip HydroTap[®] at home.

Boiling and chilled filtered water, instantly. *Sparkling, too!*







Simpler.

Zip HydroTap now offers you the option of sparkling chilled filtered water as well as boiling and chilled filtered water – instantly.

Boiling

Boiling filtered water, instantly, for tea, coffee, soup and all cooking.

No more waiting for water to boil. Zip HydroTap makes it all so simple!

Chilled

Crystal-clear, great-tasting chilled filtered drinking water, always on tap.

No more bottled water to buy, store, or cram into your refrigerator.

Sparkling

Sparkling chilled filtered water at a fraction of the cost of bottled water.

Tastes fantastic! Adds life to wines, spirits, cordials and juices.

Safer.

Far safer to use than any kettle, Zip HydroTap puts you in total control of your kitchen safety.

A unique safety lock eliminates the risk of accidental discharge of boiling water. You need to press both the red lever and the “safety” button at the same time for access to boiling water.



Press the blue lever for chilled filtered water. The lever action tap gives you simple fingertip control for filling a glass, jug, carafe or bottle to just the right level without splashing or waste.



Choose a Zip HydroTap SPARKLING model and you can simply depress both levers for sparkling chilled filtered water, instantly. Great to drink on its own. Great with mixers.



Avoid steam exposure to your hands when filling pots with boiling water. Flick up the red lever, and boiling water runs ‘hands free’ continuously for any pre-set period of 5 to 15 seconds.



You can limit boiling water access whenever you wish. To make boiling water unavailable when your kitchen is unattended, it's easy to turn the boiling water isolation feature on and off.







Healthier.

For healthier drinking, Zip HydroTap now filters your water 25 times finer. It's the world's last word in water filtration.

New Zip 0.2-micron filters reduce chlorine taste and odour and filter out particles more than one fifth of a micron in size – that's one five-thousandth (1/5000th) of a millimetre – twenty five times finer than commonly used 5.0 micron filters, designed to filter out both Cryptosporidium and Giardia cysts and other impurities, for crystal-clear great-tasting water and healthier drinking.

This is arguably the most advanced and most practical water filtration system available anywhere today, developed to meet our exacting specifications by the world leader in water filter technology.

Zip 0.2-micron filter cartridges are incorporated into the Zip HydroTap installation under the sink, or out of sight within the Zip HydroTap control cabinet installed beneath the tap.



Zip 0.2-micron filter cartridges are hygienically encased for fast and easy filter cartridge replacements. Cartridges are replaced every 12 months, or earlier if a high level of water usage makes it necessary.



Look for the NSF symbol on any water filter label. It is the only way you know for sure that your filter is tested and certified by the globally recognised NSF International organisation against the NSF/ANSI standards 42 and 53.



Zip HydroTap "filter change light" flashes when a filter change is due. It can be set to measure both water volume and the number of days in service, signalling whichever occurs first.



For installations where hard water is an issue we strongly recommend the use of the optional scale management filter (FL1100)



Greener.

Beyond comparison for energy efficiency, Zip HydroTap also stamps out water wastage, leading the world in sustainable technology.



Advanced technology cuts power consumption.

Power-Pulse™ electronic technology controls power phasing precisely, to minimise energy consumption and power costs.



Enjoy more precise temperature control.

Power-Pulse™ also regulates boiling water temperature more precisely than ever before, maintaining the set temperature within 0.2°C until boiling water is drawn off.



Automatically calculates boiling point.

Because boiling point varies by altitude, Zip HydroTap pinpoints boiling point during installation and sets its controls accordingly. (Miniboil temperature is adjusted manually, not automatically).



Boiling water temperature is adjustable.

During installation, boiling temperature can be varied from 99°C to 68°C if a lower temperature is preferred. Factory setting: 98°C.



Automatically sleeps when unused.

After two hours of non-use, Zip HydroTap either powers down to maintain boiling water at 65°C or hibernates – powers off completely. (Miniboil models simply power off completely).



Slow-flash light signals when in hibernation mode.

Touch the controls and the system awakens. Blue and red lights flash, then remain steady when boiling and chilled temperatures are okay.



Programmable 24/7 weekly timer.

Turns the power off during periods your kitchen is not in use - during weekdays, or overnight, or during periods you are away.



Free Flow™ bottle-filling feature.

The “Free Flow” feature now incorporated into all Zip HydroTap models allows you to fill bottle after bottle with filtered cold water even when the rated chilled water capacity is exceeded.



Cuts down water wastage, too.

Every drop of water is dispensed at the set temperature so there is no water wasted running a tap until the temperature is right.



An air-cooled system, not water-cooled.

Air-cooled systems never dump water into the drain, as water-cooled systems do. It's far more environmentally responsible.

Smarter.

Zip HydroTap costs so little to run.
Zip power-saving technology leads
the world in economical operating costs.

Operating power without water draw-off

Costs less than 60p per week

Costs vary according to power supplier and usage.

Assuming a cost of 10p per kW and with sleep mode
operating 10 hours in 24, **estimated energy cost
is less than 8p per day**



Additional cost per cup (167ml) of boiling filtered
water drawn off

800 cups for £1.00

Extra power to boil each 167 mL cup = 0.013 kWh.



Additional power cost per glass (200ml) of chilled
filtered water drawn off

2000 glasses for £1.20

Extra power to chill each 200 mL glass = 0.006 kWh.



Power consumption estimates for a Zip HydroTap Compact 2 model rated at 1.7 kW are based on typical results of technical tests carried out for Zip and independently verified by the University of NSW. Assumed typical day is 14 hours operational mode, 10 hours sleep mode. Operational mode is the default setting; the system phases sufficient power to maintain set temperature in tanks. Sleep mode = the system powers down if not used for 2 hours, phases only enough energy to maintain boiling water >64°C. Test conditions = boiling water at 98°C and chilled water at between 5°C and 10°C.



More Choices.

Zip offers the world's most comprehensive range of boiling and chilled filtered water systems for your home.

Zip HydroTap **COMPACT 2**

Boiling and chilled filtered water, instantly.
Page 14-15



Zip HydroTap **SPARKLING**

Boiling, chilled and sparkling filtered water.
Page 16-17



Zip HydroTap **CHILLED**

Chilled filtered drinking water only.
Page 18-19



Zip HydroTap **4-IN-1**

Separate boiling/chilled and hot/cold mixer taps.
Page 20-21



Zip HydroTap **ALL-IN-ONE**

Single tap gives boiling, chilled, hot and cold water.
Page 22-23



Zip HydroTap **MINIBOIL**

Simple, compact, instant boiling water and ambient filtered water.
Page 24-25





Zip HydroTap COMPACT 2.

The most popular model for home kitchens.



This is the Zip HydroTap for you when you want your home kitchen to have boiling and chilled filtered water available instantly. It's the most popular Zip HydroTap model by far for home kitchens, and comes with a convenient new chilled water feature, Free-Flow™. With Free-Flow, cold water continues to flow even when the rated chilled water capacity is exceeded. Great for families filling a number of personal water bottles before work, before school, or before sport.

Zip HydroTap COMPACT 2

Tap Finish	Bright Chrome
Product code	DOMBC3
Boiling water	Yes
Chilled water	Yes
Boiling Chamber	2.0 litre
Chilled Chamber	1.5 litre
Total Rating	1.8kW
Dimensions	
W x D x H (mm)	385 x 380 x 348

Optional font accessory code ZT004

Zip HydroTap Compact 2 can also be supplied in brushed chrome, black chrome or gold plate



Simple to install at your kitchen sink.



Zip Free-Flow™

Limitless bottle filling capacity.



Zip Filtration

Now 0.2 micron.



Zip Power-Pulse™

Zip cuts power costs five ways.

Can be installed away from your sink with the optional Zip "font" accessory.

Zip HydroTap SPARKLING.

Another world-first in convenience, from Zip.



When you have a Zip HydroTap SPARKLING in your kitchen, bar or barbecue area, you can offer your friends and family a real treat in a flash – refreshingly-chilled filtered sparkling drinking water that tastes great on its own, and enhances the flavour of wines, spirits, cordials and fruit juices. It costs far less than bottled sparkling water, and promotes healthier drinking because it is always on hand. So serve it up – sparkling water by the glass or carafe!



Zip HydroTap SPARKLING

Tap Finish	Bright Chrome
Product code	DOMBCS
Boiling water	Yes
Chilled water	Yes
Sparkling water	Yes
Boiling Chamber	2.0 litre
Chilled Chamber	1.5 litre
Total Rating	1.64kW
Dimensions	
W x D x H (mm)	385 x 412 x 348

Optional font accessory code ZT004



Simple to install at your kitchen sink.



Zip Free-Flow™

Limitless bottle filling capacity.



Zip Filtration

Now 0.2 micron.



Zip Power-Pulse™

Zip cuts power costs five ways.

Can be installed away from your sink with the optional Zip "font" accessory.

Zip HydroTap CHILLED.

For any place you wish to have simply chilled filtered drinking water on tap.

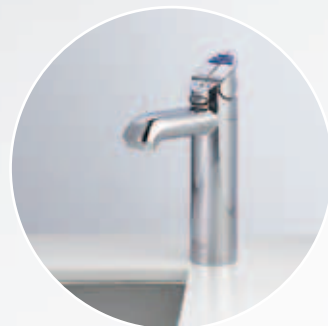


Zip HydroTap CHILLED dispenses just one thing – chilled filtered drinking water. Favoured in homes where boiling and chilled filtered water is on tap in the kitchen, yet a matching tap with access to “chilled water only” is needed for the rumpus room, or in ensuites and bathrooms. Everyone loves to help themselves to chilled filtered water by the glass or carafe.

Zip HydroTap CHILLED

Tap Finish	Bright Chrome
Product Code	DOMC1
Chilled water	Yes
Chilled Chamber	1.8 litre
Total Rating	0.2kW
Cabinet Dimensions	
W x D x H (mm)	306 x 457 x 334
Optional font accessory code ZT004	





Simple to install at your kitchen sink.



Zip Free-Flow™

Limitless bottle filling capacity.



Zip Filtration

Now 0.2 micron.



Zip Power-Pulse™

Zip cuts power costs five ways.

Can be installed away from your sink with the optional Zip “font” accessory.

Zip HydroTap 4-IN-1.

Separate boiling/chilled & hot/cold taps. Connects to incoming cold water only. No need for a separate hot water supply.



Zip HydroTap 4-in-1 is equipped with two taps – the standard Zip HydroTap bringing you boiling and chilled filtered water, instantly – plus a mixer tap bringing you a controlled flow of hot and cold water. Zip HydroTap 4-in-1 mixes cold water with boiling water to give hot water, eliminating the need for connection to a separate hot water heater or separate hot water supply. That simplifies kitchen design and reduces your appliance or installation costs.

Choice of 3 mixer tap styles



Standard Mixer Tap



Tall Mixer Tap



Square Mixer Tap

Zip HydroTap 4-in1

Tap Finish	Bright Chrome	Bright Chrome	Bright Chrome
Standard style	Standard	Tall	Square
Product code	DOMBCH	DOMBCHT	DOMBCHS
Boiling water	Yes	Yes	Yes
Chilled water	Yes	Yes	Yes
Hot water	Yes	Yes	Yes
Cold water	Yes	Yes	Yes
Boiling Chamber	3.0 litre	3.0 litre	3.0 litre
Chilled Chamber	3.0 litre	3.0 litre	3.0 litre
Total Rating	2.3kW	2.3kW	2.3kW
Dimensions			
W x D x H (mm)	430 x 430 x 337	430 x 430 x 337	430 x 430 x 337

Optional font accessory code ZT004



Boiling/chilled tap can be installed away from your sink with the optional Zip "font" accessory.



Zip Free-Flow™
Limitless bottle filling capacity.



Zip Filtration
Now 0.2 micron.



Zip Power-Pulse™
Zip cuts power costs five ways.

Zip HydroTap **ALL-IN-ONE.**

Revolutionising design of stylish kitchens.



+



+



Zip HydroTap All-In-One now makes it practical for you to plan a kitchen in which you have boiling and chilled filtered water, instantly, plus hot and cold water, all from a single tap.

You can connect a Zip HydroTap All-In-One to your mains pressure hot and cold water supply, or choose a "vented" model which mixes cold water with boiling water to give hot water, eliminating the need for connection to a separate hot water heater or separate hot water supply.

Zip HydroTap **ALL-IN-ONE**

Tap Finish	Bright Chrome
Product code	DOMBC3A
Boiling water	Yes
Chilled water	Yes
Water input	Hot & Cold
Boiling Chamber	1.8 litre
Chilled Chamber	1.8 litre
Total Rating	1.8kW
Dimensions	
W x D x H (mm)	385 x 380 x 348





Additional energy-saving feature!
A light sensor on the rear of the tap shank sends the system to sleep whenever the room goes dark.



The Zip HydroTap All-In-One
swivel action tap dispenses boiling, chilled, hot or cold water into either bowl of a two bowl sink.



Zip Free-Flow™
Limitless bottle filling capacity.



Zip Filtration
Now 0.2 micron.



Zip Power-Pulse™
Zip cuts power costs five ways.

Zip HydroTap **MINIBOIL.**

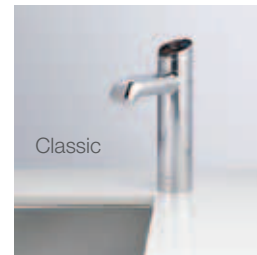
Super simple, with a mini-sized under-sink control cabinet.



+



Choice of Classic or Elite tap styles.



Zip HydroTap Miniboil is a super-simple model offering you all the convenience of instant boiling filtered water with ambient temperature (cold) filtered drinking water instead of chilled filtered drinking water. The under-sink control cabinet has an externally mounted filter cartridge so it is remarkably small, and can easily fit into small under-sink cupboards.

Zip HydroTap **MINIBOIL**

Tap Finish	Bright Chrome	Bright Chrome
Tap Style	Classic	Elite
Product code	MB1BA	MB2BA
Boiling water	Yes	Yes
Ambient (cold) water	Yes	Yes
Boiling Chamber	1.8 litre	1.8 litre
Total Rating	1.5kW	1.5kW
Dimensions		
W x D x H (mm)	212 x 272 x 338	212 x 272 x 338

Optional font accessory code ZT004 to suit MB1BA

Optional font accessory code ZT008 to suit MB2BA



0.2
micron

Zip Filtration
Now 0.2 micron.



Zip Power-Pulse™
Zip cuts power costs five ways.

Can be installed away from your sink with the optional Zip “font” accessory.

Touch the red area and safety lock on the touch pad for boiling filtered water, instantly.

White light signals when a filter replacement is due.

Touch the blue area on the touch pad for cold (ambient temperature) filtered drinking water.



Easy **INSTALLATION.**

You can install your Zip HydroTap just about anywhere.

Location

The tap must be positioned so that it drains into a suitable sink, or be installed on the optional "tap font kit". The tap should be situated as closely as possible to directly above the under-counter control cabinet. The maximum distance from the base of the tap to the control cabinet is one metre. The under-counter control cabinet must have top, side and rear clearances as shown on the drawings.

Installation Requirements.

The Zip HydroTap must be installed in accordance with the installation instruction manual by a suitably competent person. All installations should be notified to Zip UK (0845 6 005 005) to arrange the FREE commissioning call, where our Engineers will set up the system to meet your requirements and verify the installation meets Zip standards.

Plumbing

The water supply must be potable (drinkable). If static pressure exceeds 7 bar a pressure reducing valve must be fitted. An isolating valve must be installed between the water supply and the unit.

Electrical

The Zip HydroTap must be installed in compliance with IEE regulations and connected to a 13 amp socket. A 3 metre power cable is provided.

Ventilation

For efficient operation, cupboards must be adequately ventilated. Cupboard doors should be offset using 4 mm buffers provided.

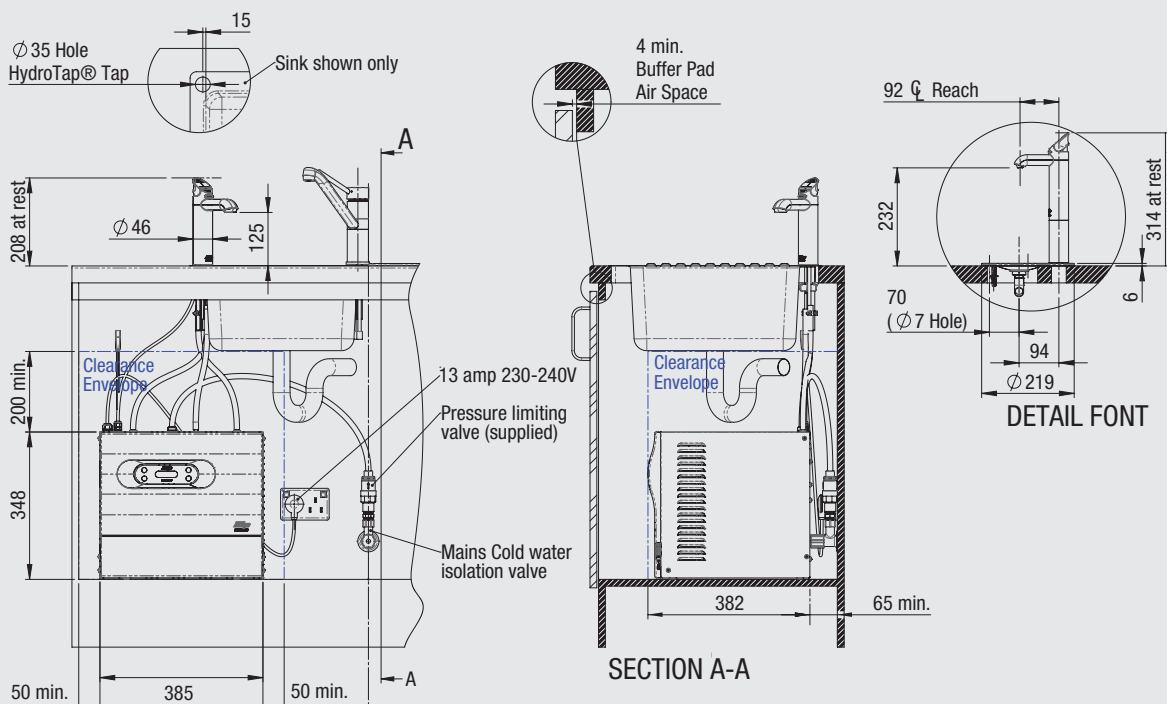
Carbon Dioxide

The CO₂ gas cylinder supplied with "sparkling" models must be secured in a suitable location using the strap provided. The gas regulator supplied must be fitted. Each cylinder contains 1 Kg of CO₂ and should be installed in a well ventilated area or a room of no less than 38 cubic metres. See website for gas cylinder MSDS sheet for complete list of warnings.

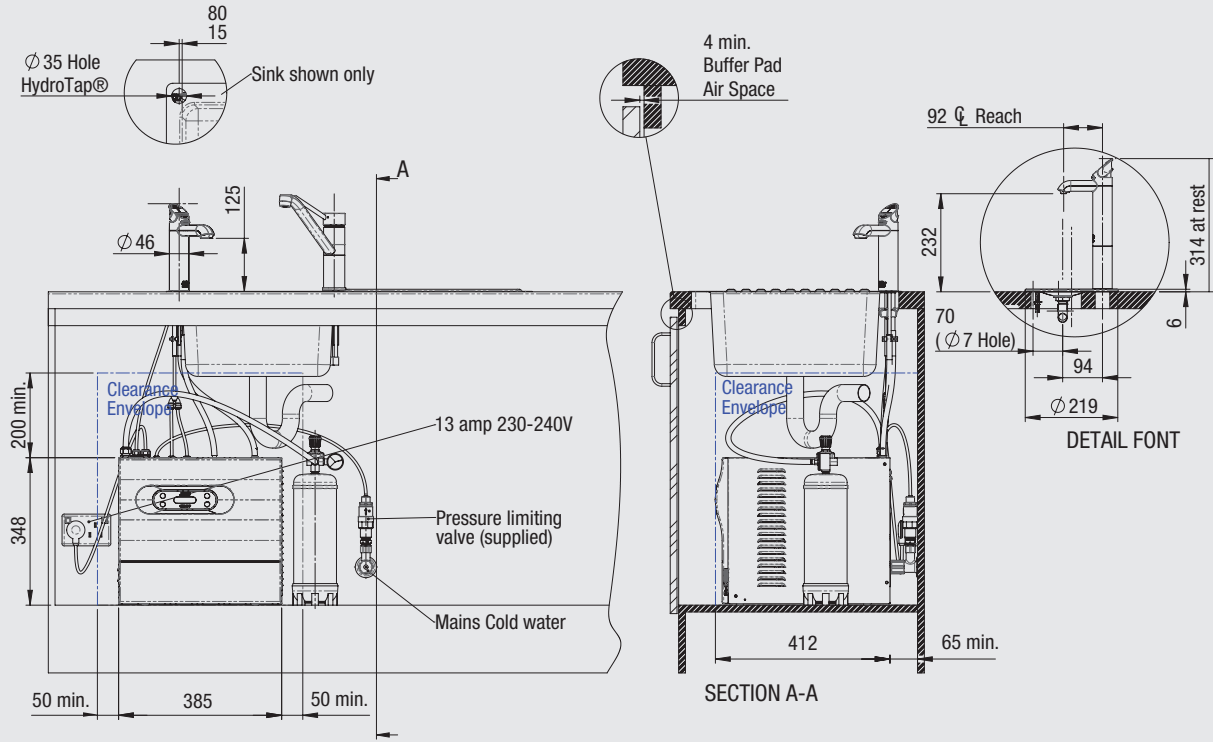
Caution

In some hard water areas where mineral scale accumulation can become a problem, consideration should be given to the maintenance required. A suitable form of water treatment may be necessary.

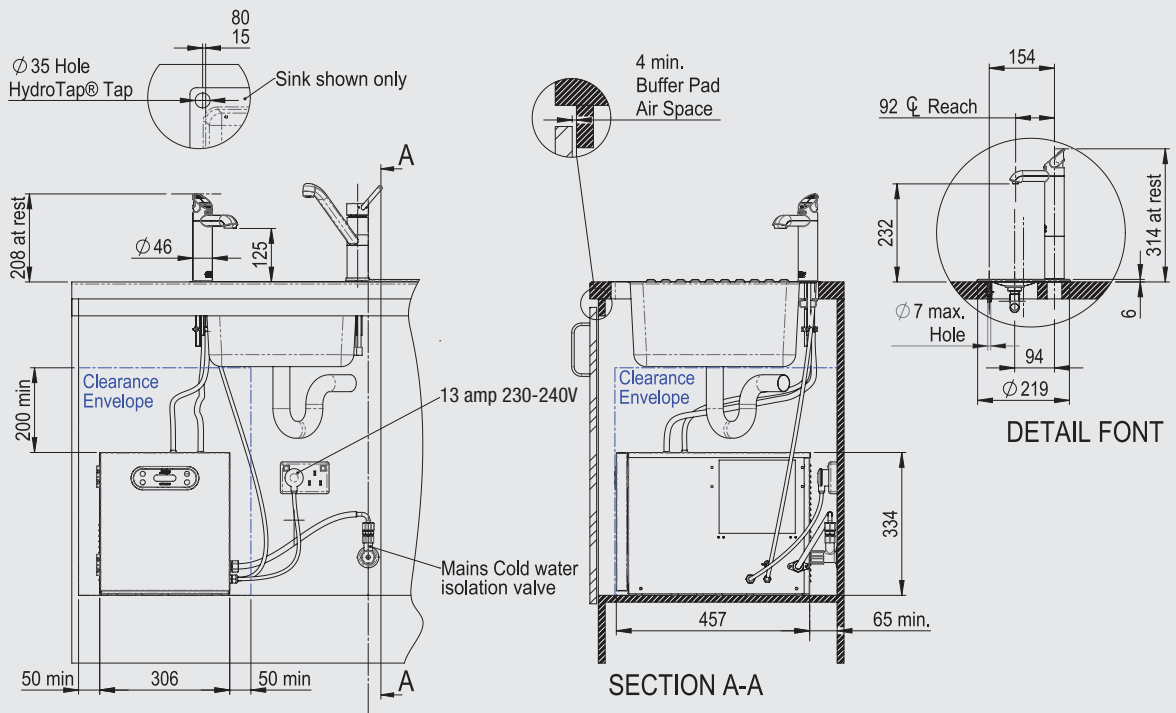
1. Zip HydroTap **COMPACT 2**



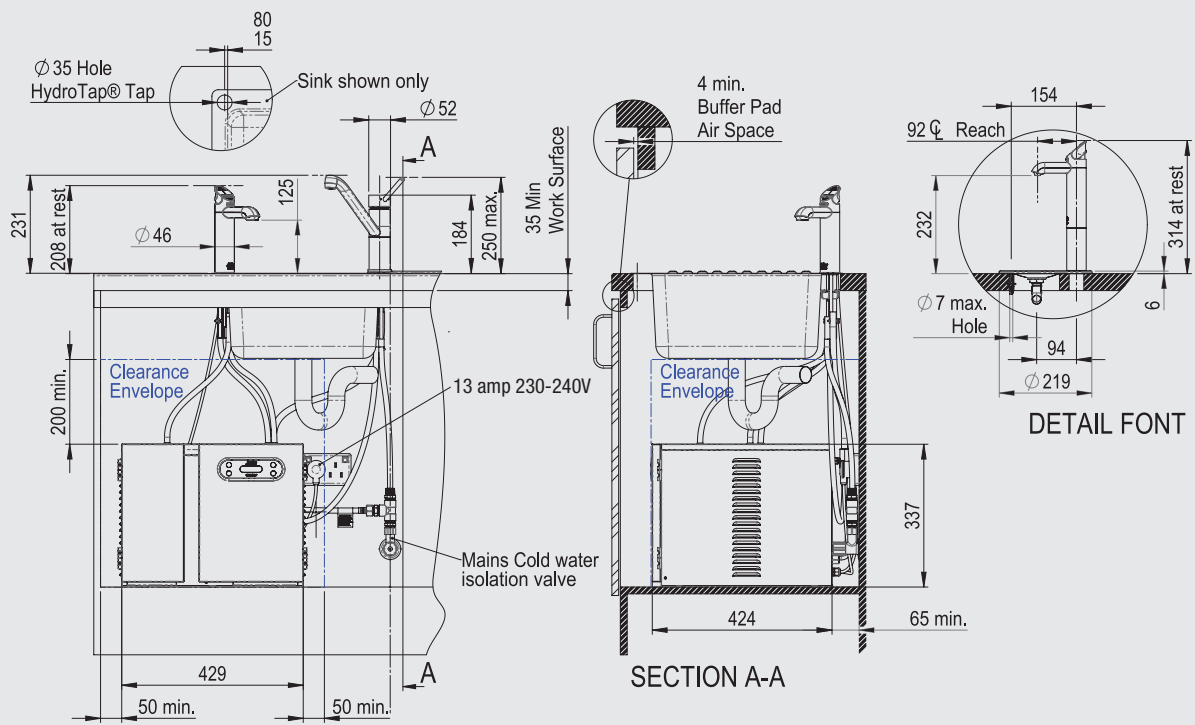
2. Zip HydroTap **SPARKLING**



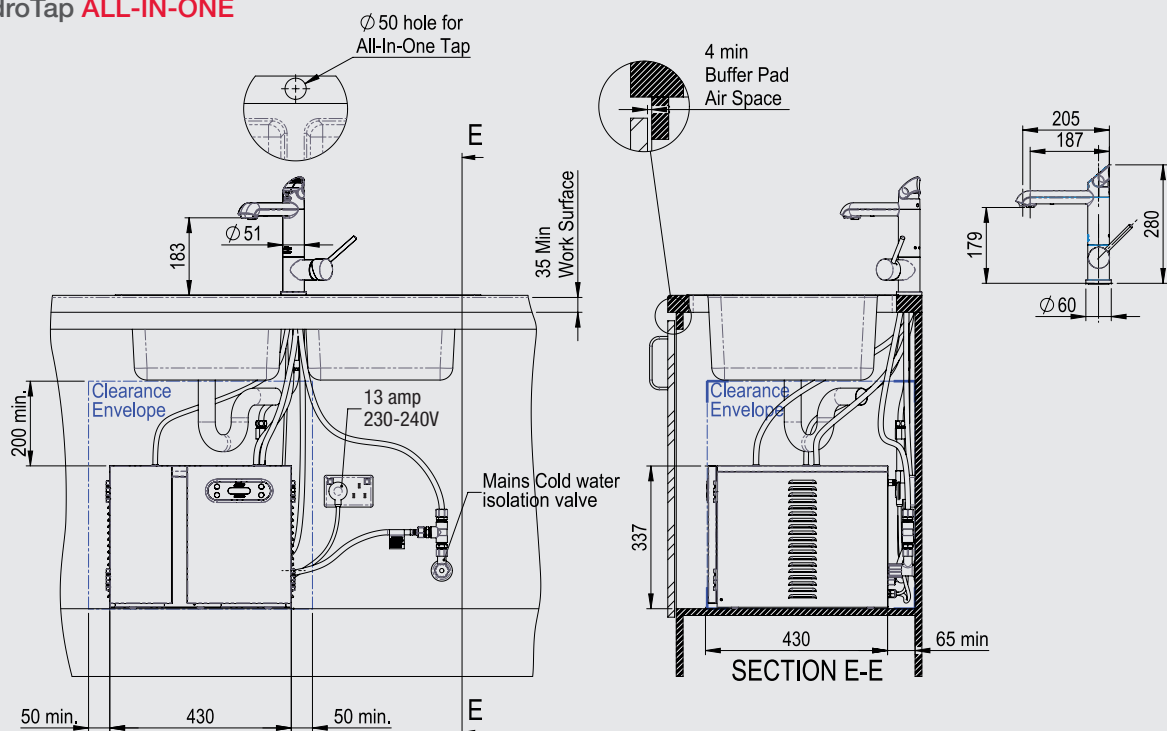
3. Zip HydroTap **CHILLED**



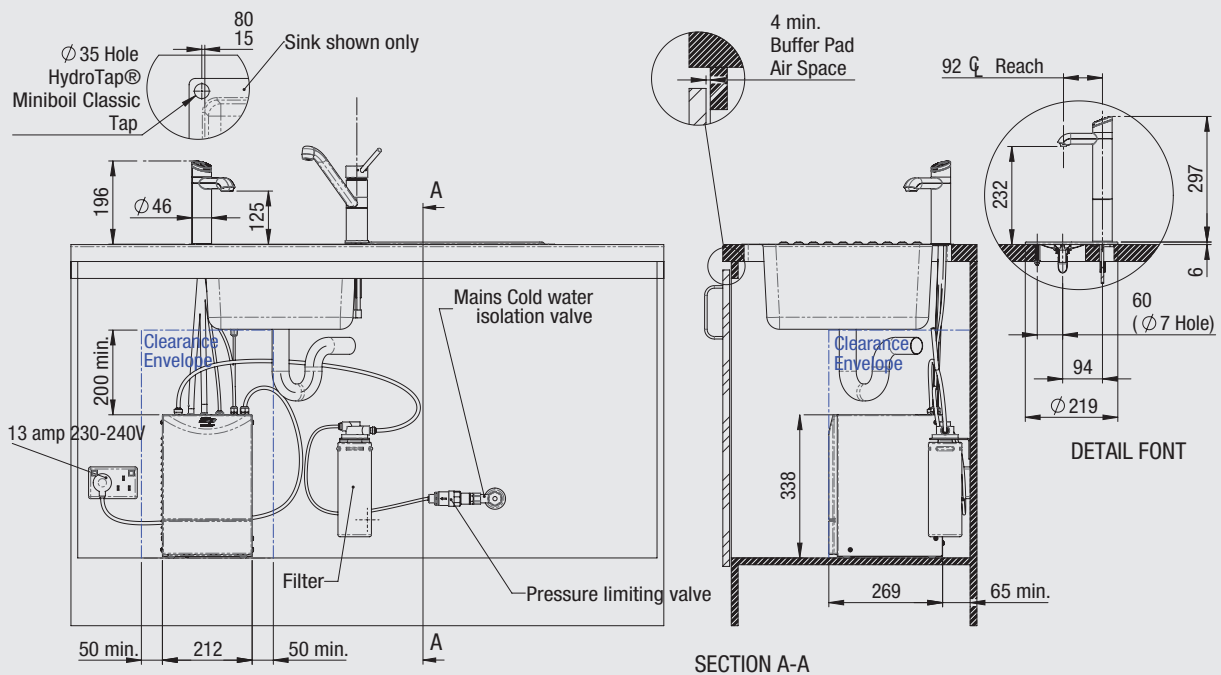
4. Zip HydroTap 4-IN-1



5. Zip HydroTap ALL-IN-ONE



6. Zip HydroTap MINIBOIL



Making life simpler for users with limited mobility or impaired vision.

When specifying a Zip HydroTap for any kitchen catering for users with limited mobility or impaired vision, you can provide for their special needs by selecting a Zip HydroTap model supplied with oversize levers fitted, and with Braille lever-covers also supplied as an accessory to be fitted to the levers on site if you wish. Oversize levers and Braille lever-covers are available for all Zip HydroTap models with the exception of Zip HydroTap All-In-One, Zip HydroTap Industrial models, or Zip HydroTap Miniboil. Braille covers are colour coded red and blue to suit models giving boiling and chilled filtered water, boiling filtered water only, or boiling and ambient (cold) water. For further details of these models, please call Zip Customer Care on 0845 6 005 005.





Your choice of Zip HydroTap is so right.

Whichever Zip HydroTap model you choose, you can be quite certain of one thing. Nobody offers you a more advanced boiling or chilled water system for your home. Because nobody knows instant boiling water like Zip.

Today millions of people around the world use Zip instant boiling water systems each day in homes, public buildings, hospitals, schools, offices and factories in more than sixty countries.

Zip remains world leader in instant boiling water, setting the pace in time-saving, energy-saving, water-conserving and user-safety technology.

You can be confident that the Zip HydroTap you choose today is a sound investment, because it is by far the best of its kind, designed to save you time, energy and money every day, for many years to come.

Michael Crouch

Michael Crouch AO
Executive Chairman
Zip Heaters (Aust) Pty Ltd
A member of the Zip Industries Group

Warranty
24
months

Extended warranty.

All Zip HydroTap models (except Miniboil) are covered by a 24 month full parts and labour warranty, once the unit has been commissioned by a Zip Engineer (free of charge service). To book a commissioning visit, once your HydroTap is installed, call Zip Customer Care on 0845 6 005 005. Zip HydroTap Miniboil models are covered by a 12 month parts and labour warranty.

Please note that all HydroTap residential models are designed specifically for use in a domestic environment and inappropriate installations such as in a commercial location will invalidate the warranty.

Filter replacement.

Zip offers you the convenience of an ongoing filter replacement service. Filter cartridges should be replaced each 12 months, or earlier if a high level of water usage makes it necessary. You can replace filter cartridges yourself, or ask for a trained Zip technician to replace them at set intervals. For filter replacement plans, call Zip Customer Care on 0845 6 005 005.

Prompt service.

Zip HydroTap is better designed, better built and better backed than any comparable boiling and chilled filtered water system, and is designed to give many years of service. However, like any kitchen system, it may need attention from time to time to keep it in top operating condition. To provide prompt service in any location, Zip has established a team of national, fully trained, directly employed, service engineers covering the whole of the UK – for installation, repairs or routine periodic maintenance.



.....

Zip HydroTap® at home.

Boiling and chilled filtered
water, instantly. Sparkling too!

0845 6 005 005

www.zipheaters.co.uk

Head Office:

Zip Heaters UK Ltd
Bertie Ward Way
Dereham
Norfolk
NR19 1TE

London Office:

Zip Heaters UK Ltd
Clover House
147-149 Farringdon Road
Clerkenwell, London
EC1R 3HN

Notice.

Products shown in this brochure are protected by international patents, including patent 2005230702 and patent 2005222440. Further patents are pending. Copyright 2012 Zip Industries (Aust) Pty Ltd. Zip reserves the right to change product specifications without notice. Whilst every endeavour is made to ensure accuracy no responsibility is taken for any errors or omissions in data. The terms "Zip", "HydroTap", "Hydroboil", "Minboil", "Free-Flow" and "Power Pulse" are trade marks. ZHTR1207A3 – July 2012.

Brochure No. ZRHH/8/12


Instant Boiling Water