



Zip HydroTap Celsius Arc

FILTERED: BOILING
UNFILTERED: HOT & COLD

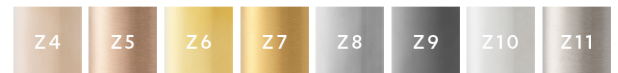
Eliminate the need for a separate mixer tap - the HydroTap Celsius Arc is perfect for those who appreciate style and versatility at its best. It delivers filtered boiling water, combined with unfiltered hot and cold water for washing up.



STANDARD



PLATINUM



| MODEL | MIXED HOT AND COLD | FILTRATION 0.2 MICRON | FONT | CO ₂ | NOMINAL POWER RATING KW | COMMAND CENTRE DIMENSIONS W X D X H |
|------------|--------------------|-----------------------|------|-----------------|-------------------------|-------------------------------------|
| MT2706Z7UK | Y | Y | N | N | 1.9 kW @ 230V | 280mm x 313mm x 335mm |

For details of the alternative tap finishes and accessories please see the 'Accessories' section

Features and benefits

Advanced filtration

Integral 0.2 micron NSF certified Zip MicroPurity filtration system offers 25 times better filtration than a standard water filter jug, eliminating bad taste and odour of chlorine, heavy metals and impurities as tiny as one five-thousandth of a millimetre, but leaving beneficial fluoride.

Power-Pulse™ technology

Reduces energy consumption by allowing the system to regulate its power during periods of high and low usage.

Unique safety features

The Zip HydroTap is designed with safety front of mind, with boiling isolation, cool touch tap and safety lock features.

Touchscreen diagnostics

The compact under-counter unit includes a simple PIN code protected touchscreen that puts the user in total control of the system, including temperature, dispensing time, safety features, energy-saving settings and continuous auto-diagnostics.



Product detail

Specification type

| | |
|--------------|---|
| Product code | MT2706Z7UK |
| Product name | HydroTap G4 Celsius Arc boiling 160 plus hot & cold brushed gold for work |

Capacity, weights & dimensions

| | |
|-------------------------------|-----------------------|
| Water functions | Boiling |
| Boiling capacity | 160 Cups per hour |
| Unit dimension (W x D x H) | 280mm x 313mm x 335mm |
| Product weight - empty / full | 11kg / 14kg |

Plumbing

| | |
|---------------------------------------|---|
| Wholesome water inlet supply required | Hot & Cold Feed |
| Supply pressure range | 1.7bar - 5bar |
| Supply connection (hot & cold) | 1 x isolated 1/2"bsp BSP fitting (flexible supply hoses included) |
| Installation | Must comply with current water supply regulations |

Electrical

| | |
|-----------------------------|--|
| Command centre power rating | 1.9 kW @ 230V |
| Voltage supply | 13 amps |
| Power supply requirements | 1 x 13amp socket outlet |
| Cable length | 1.8m fitted with UK standard 3-pin plug |
| Installation | Must comply with current IEE regulations |

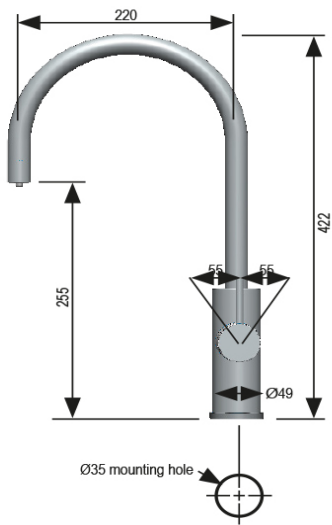
Tap design

| | |
|----------------------------|----------------------|
| Style | HydroTap Celsius Arc |
| Finish | Brushed Gold |
| Installation hole cut size | 35mm |
| Rotation | 180 degree |
| Disability options | No |
| Country of Origin | Australia |

Command centre

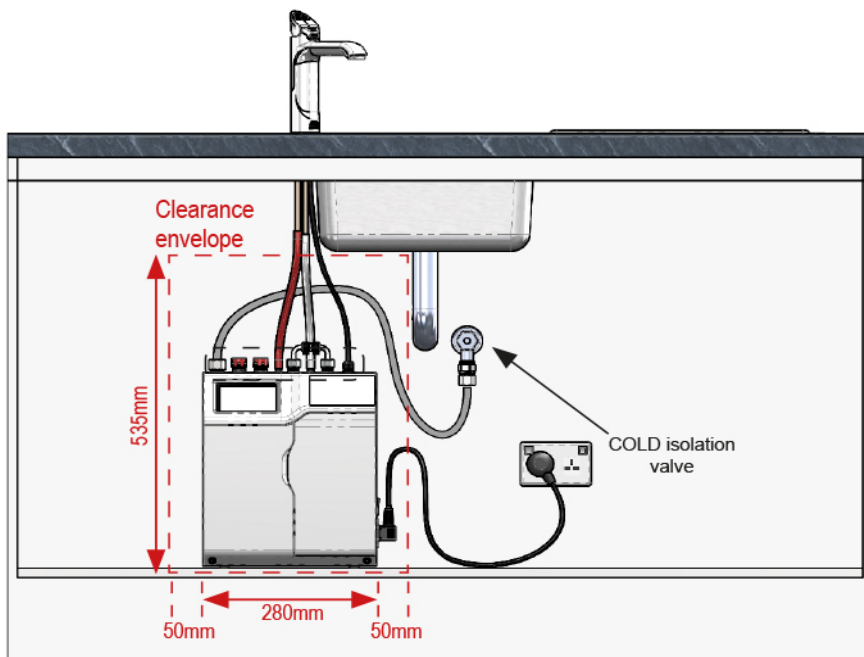
| | |
|-------------------------------------|-----------------------------|
| Factory temperature boiling | 98°C |
| Filtration | 0.2 Micron Filter Cartridge |
| Flow rate | 4 l/min |
| Wholesome water supply requirements | Hot & Cold Feed |
| Tank material | Stainless Steel |
| Country of origin | Australia |

Tap installation



Under-counter unit installation

Clearance space required
for under counter unit



Accessories

Visit specify.zipwater.co.uk to find out more information about Zip HydroTap Celsius Arc Accessories

| Image | SKU | Title |
|--|-------------|---|
|  | FL500G4KIT | Limescale prevention filter kit 3,750 litres |
|  | FL1000G4KIT | Limescale prevention filter kit 7,000 litres |
|  | FL1500G4KIT | Limescale prevention filter kit 10,000 litres |
|  | FL2000G4KIT | Limescale prevention filter kit 16,500 litres |