



Zip HydroTap All-in-One Classic

FILTERED: BOILING CHILLED SPARKLING
UNFILTERED: HOT & COLD

The robust HydroTap All-in-One offers filtered boiling and chilled water, plus unfiltered hot and cold water from a single tap. Installed over the sink, its design is perfect for specifiers looking to blend contemporary aesthetics with industrial elements.



STANDARD



| MODEL | MIXED HOT AND COLD | FILTRATION 0.2 MICRON | FONT | CO ₂ | NOMINAL POWER RATING KW | COMMAND CENTRE DIMENSIONS W X D X H |
|----------|--------------------|-----------------------|------|-----------------|-------------------------|-------------------------------------|
| HT1772UK | Y | Y | N | Y | 2.3 kW @ 230V | 450mm x 470mm x 335mm |

For details of the alternative tap finishes and accessories please see the 'Accessories' section

Features and benefits

Advanced filtration

Integral 0.2 micron NSF certified Zip MicroPurity filtration system offers 25 times better filtration than a standard water filter jug, eliminating bad taste and odour of chlorine, heavy metals and impurities as tiny as one five-thousandth of a millimetre, but leaving beneficial fluoride.

Power-Pulse™ technology

Reduces energy consumption by allowing the system to regulate its power during periods of high and low usage.

Unique safety features

The Zip HydroTap is designed with safety front of mind, with boiling isolation, cool touch tap and safety lock features.

Touchscreen diagnostics

The compact under-counter unit includes a simple PIN code protected touchscreen that puts the user in total control of the system, including temperature, dispensing time, safety features, energy-saving settings and continuous auto-diagnostics.



Product detail

Specification type

| | |
|--------------|--|
| Product code | HT1772UK |
| Product name | HydroTap G4 All-in-One Classic boiling chilled sparkling 240/175 plus hot & cold vented bright chrome for work |

Capacity, weights & dimensions

| | |
|-------------------------------|-----------------------------|
| Water functions | Boiling, Chilled, Sparkling |
| Boosted boiling capacity | 240 Cups per hour |
| Chilled capacity | 175 Glasses per hour |
| Sparkling capacity | 175 Glasses per hour |
| Unit dimension (W x D x H) | 450mm x 470mm x 335mm |
| Product weight - empty / full | 39kg / 47kg |

Plumbing

| | |
|---------------------------------------|---|
| Wholesome water inlet supply required | Cold Feed |
| Supply pressure range | 2.5bar - 5bar |
| Supply connection (hot & cold) | 1 x isolated 1/2"bsp BSP fitting (flexible supply hoses included) |
| Installation | Must comply with current water supply regulations |

Electrical

| | |
|-----------------------------|--|
| Command centre power rating | 2.3 kW @ 230V |
| Booster power rating | 2.2 kW @ 230V |
| Voltage supply | 230v 50/60 Hz amps |
| Power supply requirements | 2 x 13amp socket outlet |
| Cable length | 1.8m fitted with UK standard 3-pin plug |
| Installation | Must comply with current IEE regulations |

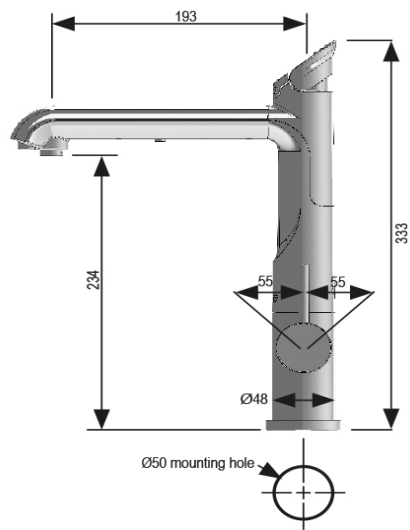
Tap design

| | |
|----------------------------|-----------------------------|
| Style | HydroTap All-in-One Classic |
| Finish | Bright Chrome |
| Installation hole cut size | 50mm |
| Rotation | 180 degree |
| Disability options | No |
| Country of Origin | Australia |

Command centre

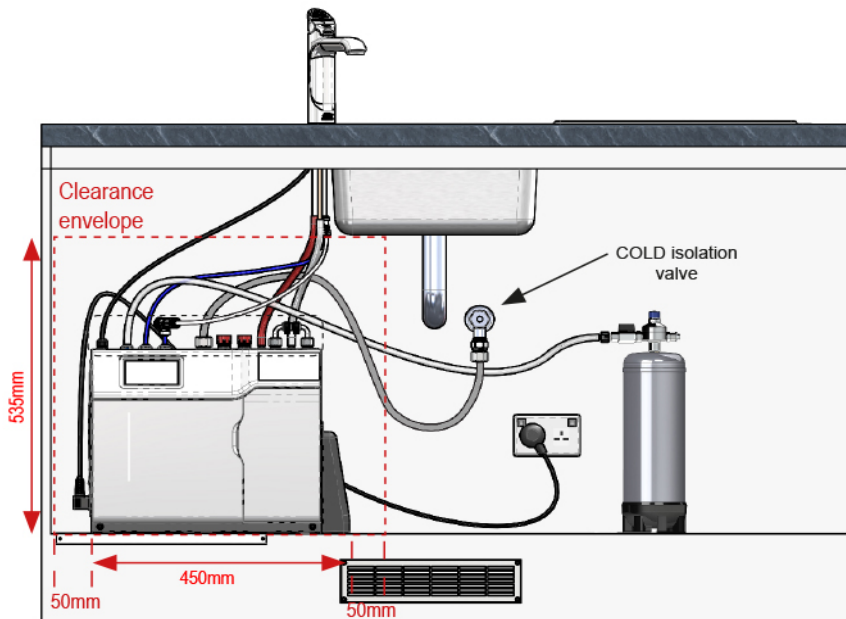
| | |
|-------------------------------------|-----------------------------|
| Factory temperature boiling | 98°C |
| Factory temperature chilled | 3-5°C |
| Filtration | 0.2 Micron Filter Cartridge |
| Flow rate | 3-4 l/min |
| Wholesome water supply requirements | Cold Feed |
| Refrigerant | R134a |
| Tank material | Stainless Steel |
| Country of origin | Australia |

Tap installation





Under-counter unit installation

Clearance space required
for under counter unit



Accessories

Visit specify.zipwater.co.uk to find out more information about Zip HydroTap All-in-One Classic Accessories

| Image | SKU | Title |
|---|------------|--|
|  | FL250G4KIT | Limescale prevention filter kit 2,250 litres |
|  | 93815UK | Zip assist wifi PCB for HydroTap G4 |
