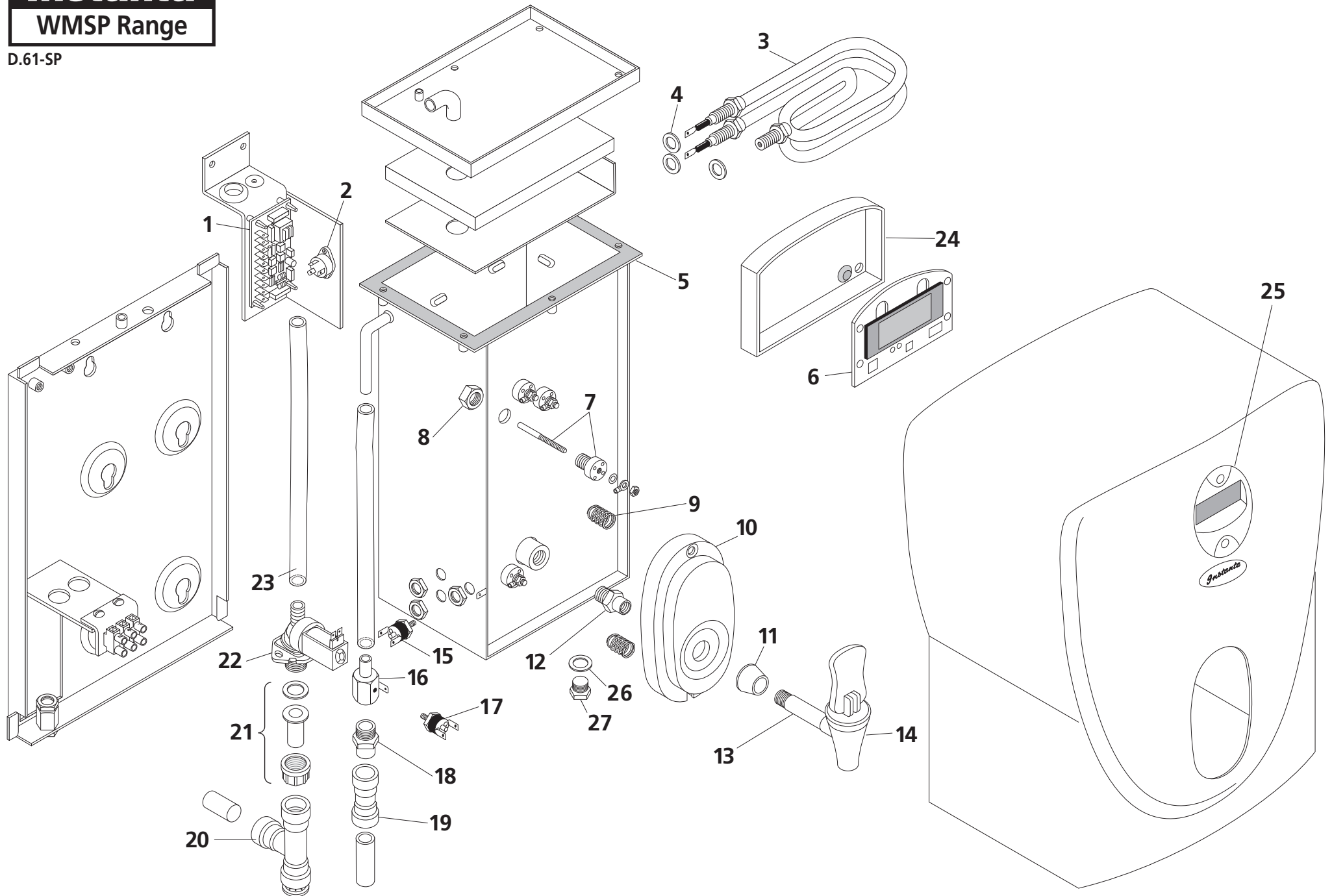


Instanta

WMSP Range

D.61-SP



WMSP SERIES KEY to EXPLODED DRAWING KEY (D.61-SP)			
Drawing No	Description	Part No	Price (£)
1	Main printed circuit board (all WM series)	XE870/SC	138.64
2	Triac	XE851 (3kW) XE854 (6kW)	15.83 24.44
3	Element	XEN175 (WM3, WM7, WM15-3) XEN100 (WM15-6 & WM25)	69.08
4	Element washer (silicone rubber)	XEN100/W	1.38
5	Tank Gasket	WEN3G (WM3) WEN7G (WM7) WEN15G/N (WM15) WEN25G (WM25)	17.16 19.24 22.36 22.36
6	Display printed circuit board	XE871/SC	81.26
7	Level sensing probe	PRB1/A	17.05
8	Hexagon nut	T514/P	2.02
9	Spring	WMB/SP1	4.15
10	Grey plastic tap-surround	WMB1/SS	23.86
11	Grey plastic tap collar	WMB2/SS	5.45
12	Brass tank-to-tap adaptor	XTP1019/SS	5.45
13	Chromed tap extension	XTP1013	14.57
14	Draw-off tap	WTP600	106.52
--	Upper Tap Assembly	XTP1050/A	35.70
15	Boil-dry thermal safety switch (120°C)	XETR5	9.14
16	Brass mount (for safety switch above)	XETR15	9.14
17	Over-boil thermal safety switch (90°C) (from serial number – WM7 U10687, WM3 T06415, WM15-3 V08226, WM15-6 X07526 & WM25 R01122)	XETR6	11.50
17	Over-boil thermal safety switch (90°C) (before numbers above)	XETR7	9.14
18	Brass ¼"bsp to 15mm push-fit adaptor	SRF25	12.80
19	15mm straight push-fit coupling	WMB15/S	3.51
20	15mm "T" push-fit coupling	WMB15/T	6.90
21	¾" nut, tail & washer assembly	WMB34/A	9.12
22	Solenoid valve	SOL12	26.75
23	Internal water feed pipe (grey silicone rubber)	ACC309/S	9.14/mtr
24	Plastic back-cover box (plastic Case)	WMB303/LC	15.83
24	Plastic back-cover box (stainless Case)	WMB310/LC (before number T06435 & U10636) WMSSP2 (From T06435 & U 10636)	15.83
25	Plastic display-window	XEN301/LC	7.35
26	Fibre Washer	WBA501	1.17
27	Brass Tank Drain	WBA247/C	5.27
--	Plastic outer case (Note: some models have a stainless steel outer case)	WMB300/LC (WM3 plastic) WMB750/LC (WM7 plastic)	169.14 195.70