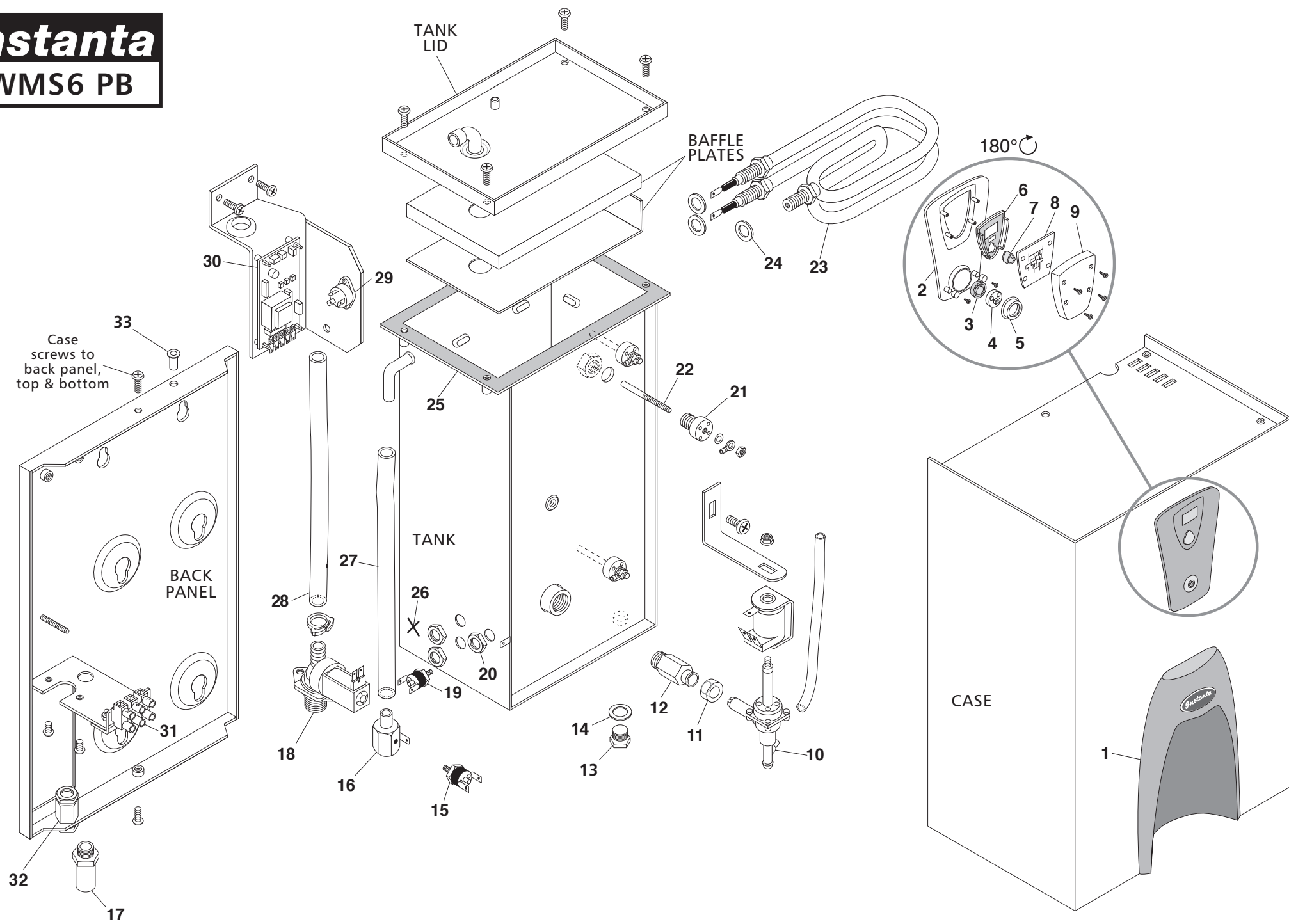


Instanta

WMS6 PB

D.104



CTS5PB & CTS10PB Exploded Drawing Price List			
Dwg No.	Description	Part No.	Price
1	Plastic Cup Recess Moulding	DBPLA1	Ring Spares
2	Plastic Front Strip Moulding	DBPLA2	Ring Spares
3	Rubber Push Button	D309/N	2.83
4	Push Button PCB	XEF403	54.55
5	Push Button PCB Retaining Ring	DBPLA3	Ring Spares
6	Display Window	XEN613	2.72
7	Rubber On/Off button	XEN614	2.83
8	Display PCB	XEF404	63.95
9	Display Back Box	EC370/PS	3.39
10	Over-boil Cut-out Brass Mount	XETR80	14.73
11	Over-boil Thermal Cut-out	XETR7	9.14
12	Silicone Elbow	SELB38	Ring Spares
13	Hot Water Outlet Solenoid	SOL24	52.64
14	Silicone Air-vent Tube	SR8	5.06/mtr
15	Air-vent Adaptor	SRF13/PB	Ring Spares
16	Plastic Cold Water Inlet Tube (Blue)	JGS3/8	2.73/mtr
17	Hot Water Solenoid Silicone Washer	SOL19/W	8.65
18	Brass Hot Water Solenoid Tank Adaptor	XTP1019/PB	6.39
19	PTFE Probe Holder	E307A	8.85
20	Stainless Steel Probe	PRB1/C	5.31
--	Probe Assembly (items 18 & 19)	PRB12/A	17.05
21	Tank Gasket	XENPB510	17.63
22	Probe Locknut	T514	2.02
23	Heating Element Washers	XEN100/W	1.38
24	Heating Element	XEN175	69.07
25	3/8" Equal Elbow	JGXEF3	Ring Spares
26	Nylon Foot	D208	Ring Spares
27	Foot Insert	D208/I	Ring Spares
28	Chrome Inlet Fitting	XOV20	Ring Spares
29	Rear Overflow Fitting	XOV31	10.96
30	1/4" Brass Locknut	T513	0.43
31	14mm Shake-proof Washer	BV33	Ring Spares
32	M16 Shake-proof Washer	BV40	Ring Spares
33	3/8" Brass Locknut	B306	1.79
34	3/4" to 3/8" Solenoid adaptor	JGE38/34BS	4.46
35	Cold Water Inlet Solenoid	SOL12	26.75
36	Silicone Sleeve	CM28	1.52
37	Brass Gauze Retainer	E/OVF2	3.30
38	Main Control PCB	XEF402/A	95.40
39	Triac	XE851	15.83
40	Terminal Block	E1254	3.69
41	Blue Overflow 'T' Piece	NTP10	3.69
42	Silicone Overflow Tube (Clear)	SR9	11.07/mtr
43	Outlet Bridge c/w Stainless Outlet Elbow	Ring Spares	Ring Spares
44	Cold Water Silicone Inlet Tube (Grey)	ACC309/S	9.14/mtr
45	Element Boil-dry Thermal Cut-out	XETR5	9.14
46	Element Locknut	T513	0.43