

Zip[®]

Instant Boiling Water



Zip HydroTap[®] 2010/11

The latest from the world leader in instant boiling and chilled filtered water



Zip HydroTap® INTERNATIONALLY

Changing the way the world boils water

Zip HydroTap brings the practical advantages of “boiling and chilled filtered water instantly” to kitchens in more than 50 countries world wide.

Taipei

Zip instant boiling water is at work in one of the world's tallest towers.



Frankfurt

The head office of the Dresdner Bank is equipped with Zip systems.

Sydney

More than 30,000 Zip systems are installed in the CBD alone.



Hong Kong

Zip HydroTap is installed in Chek Lap Kok Airport lounges.



London

Zip systems are in daily use in tens of thousands of locations across the UK, including City Hall, London.



Singapore

The Esplanade Performing Arts Centre has 28 Zip systems.



Boiling filtered water instantly.



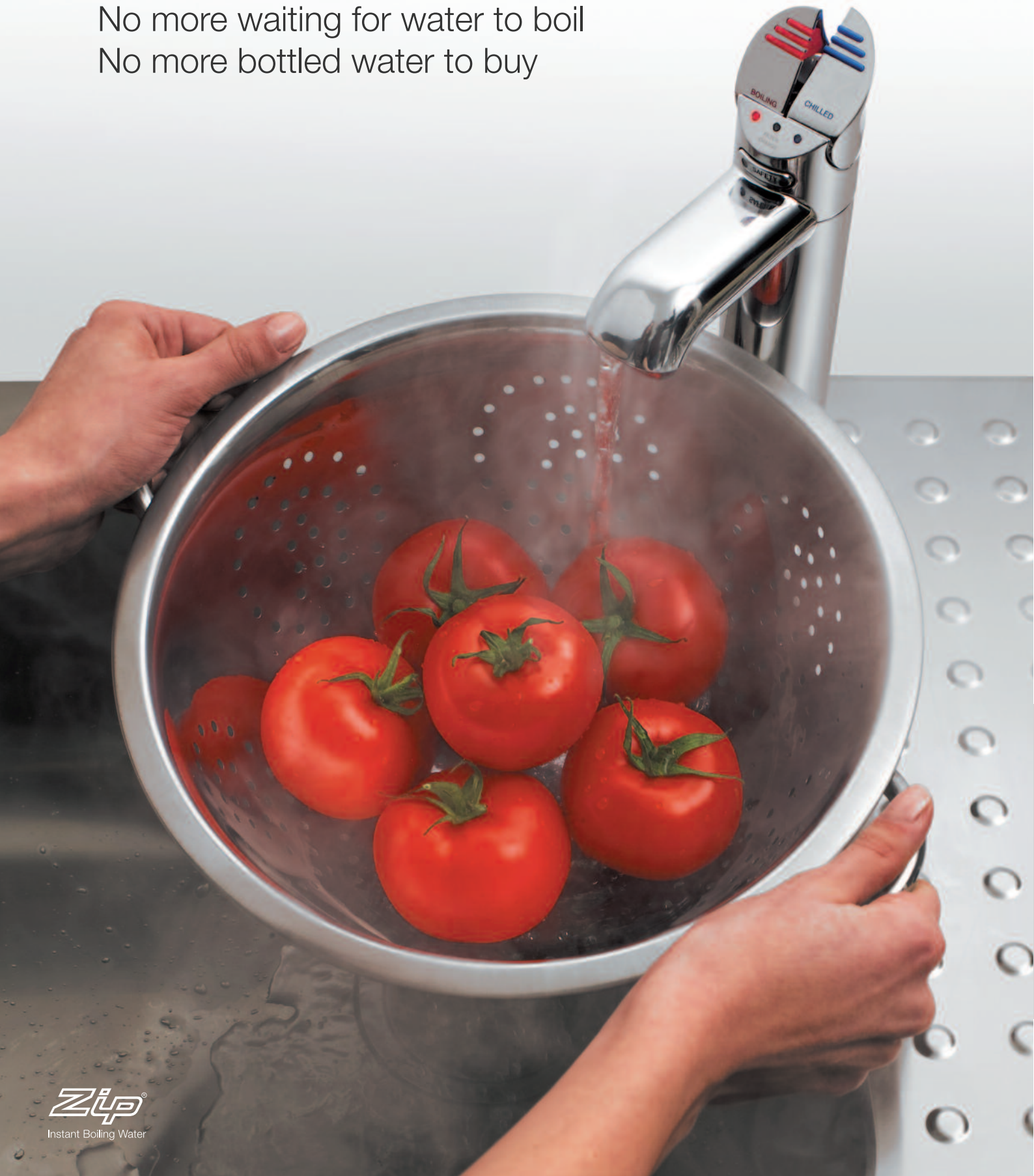
Chilled filtered water instantly.

SIMPLICITY	4 - 5
TECHNOLOGY	6 - 7
FILTRATION	8 - 9
SPECIFICATION	10 - 11
AT HOME	12 - 13
AT WORK	14 - 15
IN INDUSTRY	16 - 17
MIXER TAPS	18 - 19
OPTIONS	20 - 21
INSTALLATION	22 - 23



Zip HydroTap® SIMPLICITY

No more waiting for water to boil
No more bottled water to buy





Tea, instantly

No waiting for water to boil. Press the lever, and out it pours - boiling water at just the right temperature to make perfect tea.



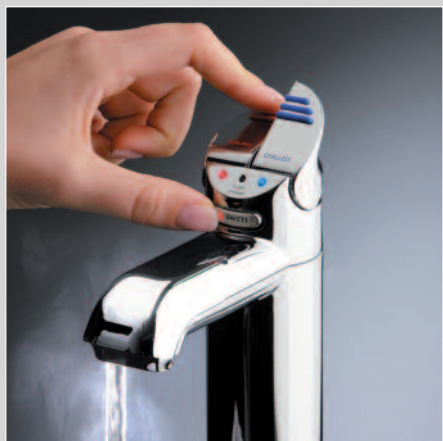
Coffee, instantly

Pull forward the red lever to fill your cafetière with boiling water, instantly. Push the red lever back, and the flow stops, instantly.



Drinks, instantly

Press the blue lever for an endless supply of great tasting, crystal clear filtered chilled drinking water at a fraction of the cost of bottled water.



Safety lock for peace of mind

When activated, the child safety interlock requires adult finger-thumb operation.



Zip HydroTap® TECHNOLOGY

Superior technology saves energy
and conserves water too





Power-Pulse™ energy saving technology

Reduces power consumption by allowing the system to electronically regulate its power during high and low usage periods. This saves energy whilst maintaining the tightest possible temperature control



Cuts energy consumption

Running costs: no more than 15p per day (With Sleep Mode active 10 hours in 24)
Plus Boiling water 8 cups for 1p; Chilled water 20 glasses for 1p.

Cup = 167ml. Glass = 200ml.



Sleeps when inactive

The system can be pre-set to power down after two hours of non-use, but will still retain stored “boiling” water at an energy-saving 64°C. The system quickly recovers to the pre-set boiling temperature upon further draw off.



Programmable 24/7 timer

Pre-set the “power on” and “power off” times (once each day) for those periods when the Zip HydroTap will not be used, such as overnight or over weekends.

Typical energy efficiency information for Zip HydroTap Commercial Models

Zip HydroTap Model	Typical 24-Hour Business Day (see note B)			PLUS for each cup of boiling water or glass of chilled water					
	Power Usage (Watt hours)	CO ² Emission (kg)	Cost (per day)	Power Usage (Watt hours)		CO ² Emission (kg)		Cost (per cup/glass)	
				Boiling	Chilled	Boiling	Chilled	Boiling	Chilled
BC150/175	1,481	0.637	£0.15	13.0	6.0	0.006	0.003	£0.0013	£0.0006
BC100/125	1,357	0.584	£0.13	13.0	6.0	0.006	0.003	£0.0013	£0.0006

Energy efficiency technical notes:

- A. Typical results of technical tests carried out for Zip and independently verified by The University of New South Wales, Australia.
- B. Assumed typical 24-hour business day; 12 hours operational mode, 12 hours sleep mode, 10 minutes full recovery mode.
- C. Operational mode is the default setting; with the system using sufficient power to maintain set temperatures in the tanks.
- D. Sleep mode – system powers down if not used for two hours, using only enough energy to maintain “boiling” water at 64°C.
- E. Test conditions – boiling water at 98°C and chilled water at between 5°C and 10°C.
- F. The CO² emission estimates are based on 430 kg of CO² per 1000 kWh of electrical power consumed.
- G. The estimated cost per day is based on £0.10 per kWh.

Zip HydroTap® FILTRATION

Sub-micron filtration ensures crystal clear,
great tasting, healthier water



The Zip HydroTap integral sub-micron filter system is among the most technologically advanced in the world.

- Reduces chlorine taste and odour.
- Reduces dirt, rust, asbestos fibres, and other particulates such as oxidized iron, manganese, and sulfides.
- Reduces parasitic protozoan cysts.
- Reduces common limescale formation.



Removes micro-organisms as tiny as one thousandth of a millimetre. That's just 1 micron. A single strand of human hair is about 100 microns thick.

Fitted as standard on all* Zip HydroTap systems, our sub-micron filters also remove harmful parasites such as *Cryptosporidium* and *Gardia*.



Compact and hygienically encased

Where integral, the sub-micron filter is hidden away, as part of the under-sink system. It is also hygienically encased for quick and easy replacement.



Filter-change warning light

The white warning light flashes when a filter change is due and can be programmed for either a specific time period or litres used. It is recommended the filter be changed at least once every six months.

* Boiling Only Residential HydroTap and the Miniboil range are offered with a choice of filters



Zip HydroTap® SPECIFICATION

Choose a model specific to your project

Zip HydroTap is supplied in a variety of models designed to cater for the specific requirements of many different types of user. To ensure the correct unit is installed, always quote the Zip Order Code in your written specification.



How to specify

Step 1

Select the category of kitchen involved:

- AT HOME – Residential models cater for the needs of a typical household.
- AT WORK – Commercial models cater for small, medium and large offices.
- IN INDUSTRY – Industrial models are built to better withstand rough handling.
- MIXER TAPS – Mixer models give hot, cold, warm, boiling and chilled water, avoiding the need for hot water circulation to small kitchens.

Step 2

Select the type of output you prefer:

The water delivery capability of each model is shown in the product selection tables on the following pages. Select:

- Boiling and chilled filtered water.
- Boiling and cold (ambient) filtered water.
- Boiling filtered water.
- Chilled filtered water.
- Boiling and chilled filtered water plus hot, warm and cold water.

Step 3

Select the most suitable capacity:

Refer to the “boiling cups per hour” column in the product selection tables on the following pages. Then choose the model best suited to your needs. Higher capacity models should be chosen mainly for use in larger offices.

Step 4

Check your options, decide what goes where:

- Refer to accessory and colour options listed on pages 20 & 21.
- Refer to installation requirements listed on pages 22 & 23.
- The under-sink unit is positioned directly beneath the tap.
- The tap may be installed on a sink, or remotely, using the optional “font”.

For technical assistance dial **0800 077 8302**.

AT HOME 12 - 13

AT WORK 14 - 15

IN INDUSTRY 16 - 17

MIXER TAPS 18 - 19

OPTIONS 20 - 21

INSTALLATION 22 - 23



Zip HydroTap® AT HOME

Instant boiling water systems for home kitchens, large and small

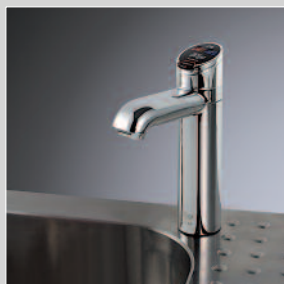


Zip HydroTap RESIDENTIAL MODELS

- Boiling and chilled filtered water.
- Boiling and cold (ambient) filtered water.
- Boiling filtered water only.
- Chilled filtered water only.
- Power Pulse™ energy saving technology.
- All except Boiling Only have timer and sleep mode features.

Zip HydroTap Miniboil NEW SUPER-COMPACT MODELS

Zip Miniboil CLASSIC



Zip Miniboil ELITE



With 10 mm longer spout to fit designer sinks.

- Boiling and cold (ambient) filtered water.
- New touch-pad head with safety lock.
- New super-compact undersink system.
- Simple controls and simple installation.
- Available in a choice of two designs.



New touch-pad head for instant boiling water and cold (ambient) water.

Zip Miniboil is covered by a 12 month parts and labour warranty.

Zip Model type	Product Code	Boiling Water	Chilled Water	Hot Water	Cold Water	Boiling Chamber (litres)	Chilled Chamber (litres)	Total Rating (kW)	Under-Sink W x D x H (mm)
Boiling & Chilled Compact	DOMBC1	✓	✓	–	–	1.8	1.8	1.7	385 x 380 x 348
Boiling & Chilled Split	DOMBC2	✓	✓	–	–	1.8	1.8	1.7	280 x 323 x 337 [B] 353 x 253 x 377 [C]
Boiling & Ambient	DOMBA1	✓	–	–	✓	1.8	–	1.5	280 x 323 x 337
Boiling Only	DOMHB1	✓	–	–	–	1.8	–	1.5	188 x 320 x 334
Chilled Only	DOMC1	–	✓	–	–	–	3.5	0.2	306 x 457 x 334
Miniboil BA Classic	MB1BA	✓	–	–	✓	1.8	–	1.5	212 x 272 x 338
Miniboil BA Elite	MB2BA	✓	–	–	✓	1.8	–	1.5	212 x 272 x 338

Measurements shown are Width, Depth and Height. "Cold" water is at ambient temperature.



Zip HydroTap® AT WORK

Small, medium or large offices, hospitals, clinics, canteens



Zip HydroTap COMMERCIAL MODELS

Choose output type:

- Boiling and chilled filtered water.
- Boiling and cold (ambient) filtered water.
- Boiling filtered water only.
- Chilled filtered water only.

Choose capacity:

- 60 boiling cups per hour, for small offices.
- 100 boiling cups per hour, for medium offices.
- 150, 160 or 200 boiling cups per hour, for large offices.
- 85 chilled glasses per hour, for small offices.
- 125 chilled glasses per hour, for medium offices.
- 175 chilled glasses per hour, for large offices.

New “FREE-FLOW” MODELS

Choose for kitchens where bottle-filling is routine:

The “free-flow” models ensure cold filtered water continues to flow even during periods of high usage when the ‘chilled glasses per hour’ capacity is exceeded.



Zip Model type	Product Code	Boiling Water	Chilled Water	Hot Water	Cold Water	Boiling Cups/Hr	Chilled Glasses/Hr	Total Rating @240 V (kW)	Under-Sink W x D x H (mm)
Boiling & Chilled Free-Flow	BC200/175+	✓	✓	–	–	200	175	2.8	500 x 465 x 395
Boiling & Chilled Free-Flow	BC160/125+	✓	✓	–	–	160	125	2.3	440 x 430 x 337
Boiling & Chilled	BC150/175	✓	✓	–	–	150	175	2.1	500 x 465 x 395
Boiling & Chilled	BC100/125	✓	✓	–	–	100	125	1.7	440 x 430 x 337
Boiling & Chilled	BC60/85	✓	✓	–	–	60	85	1.7	440 x 430 x 337
Boiling Only	B150F	✓	–	–	–	150	–	1.8	310 x 340 x 393
Boiling Only	B100F	✓	–	–	–	100	–	1.5	280 x 323 x 337
Chilled Only	C125	–	✓	–	–	–	125	0.2	306 x 457 x 334

Cold water is at ambient temperature. Standard cup is 167ml. Standard glass is 200ml. '+' signifies models are Free-Flow



Zip HydroTap® IN INDUSTRY

New heavy-duty designs for industrial canteens and institutions



Zip HydroTap NEW INDUSTRIAL SIDE TOUCH MODELS



- New super-strong tapered shank anchor.
- New damage-resistant side touch-buttons.
- Simple 2-button model without safety switch.
- Optional 3-button model with safety lock.
- Can be installed with buttons left or right.
- All models deliver boiling and chilled filtered water.
- Up to 160 or 200 boiling cups per hour.
- Up to 125 or 175 chilled glasses per hour.
- Features “free-flow” ensuring cold filtered water continues to flow even during periods of high usage when the ‘chilled glasses per hour’ capacity is exceeded.



High strength 25mm tapered base fastens to an undersink clamp block and supports a high strength steel spine reinforcing the whole of the tap shank.

Zip HydroTap NEW INDUSTRIAL TOP TOUCH MODELS

- Robust design: touch-buttons instead of levers.
- All models deliver boiling and chilled filtered water.
- Up to 160 or 200 boiling cups per hour.
- Up to 125 or 175 chilled glasses per hour.
- Both models feature “free-flow” ensuring cold filtered water continues to flow even during periods of high usage when the ‘chilled glasses per hour’ capacity is exceeded.



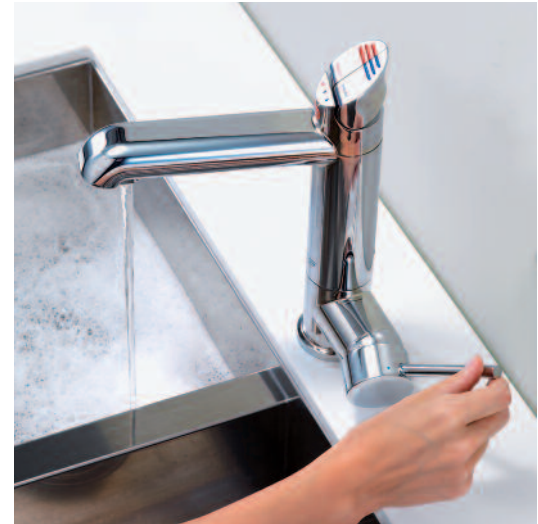
Zip Model type	Product Code	Boiling Water	Chilled Water	Hot Water	Cold Water	Boiling Cups/Hr	Chilled Glasses/Hr	Total Rating @ 240 V (kW)	Under-Sink W x D x H (mm)
Industrial Boiling & Chilled Free-Flow with Top-Touch tap	BC200/175+IT	✓	✓	–	–	200	175	2.8	500 x 465 x 395
Industrial Boiling & Chilled Free-Flow with Top-Touch tap	BC160/125+IT	✓	✓	–	–	160	125	2.3	440 x 430 x 337
Industrial Boiling & Chilled Free-Flow with Side-Touch tap	BC200/175+IS	✓	✓	–	–	200	175	2.8	500 x 465 x 395
Industrial Boiling & Chilled Free-Flow with Side-Touch tap	BC160/125+IS	✓	✓	–	–	160	125	2.3	440 x 430 x 337

Standard cup is 167ml. Standard glass is 200ml. '+' signifies models are Free-Flow



Zip HydroTap® MIXER TAPS

Boiling, chilled, hot, warm and cold water for streamlined kitchens



Zip HydroTap NEW ALL-IN-ONE MODELS

- Boiling, chilled, hot and cold (ambient) water from one tap.
- Eliminates the need for more than one tap.
- Up to 60, 160 or 200 boiling cups per hour.
- Up to 85, 125 or 175 chilled glasses per hour.
- Models featuring “free-flow” ensure cold filtered water continues to flow even during periods of high usage when ‘chilled glasses per hour’ capacity is exceeded.
- Vented tap models mix boiling and cold water for hot water (no hot water service connection required).
- Non-vented models can be connected to an existing hot water supply.
- Low light sleep mode can be set to activate whenever the room lights go off, an exclusive energy-saving feature.



Four-In-One or Three-In-One

Zip HydroTap FOUR-IN-ONE** MODELS

- Boiling, chilled, hot and cold (ambient) water, two taps.
- Up to 160 or 200 boiling cups per hour.
- Up to 125 or 175 chilled glasses per hour.
- With “free-flow” filtered water feature.

Zip HydroTap THREE-IN-ONE** MODELS

- Boiling, hot and cold (ambient) water, 2 taps, up to 100 or 150 boiling cups per hour.



Zip Model type	Product Code	Boiling Water	Chilled Water	Hot Water	Cold Water	Boiling Cups/Hr	Chilled Glasses/Hr	Total Rating @ 240 V (kW)	Under-Sink W x D x H (mm)
All-In-One Boiling & Chilled Free-Flow Non-vented tap	BC200/175+A	✓	✓	✓	✓	200	175	2.8	500 x 465 x 395
All-In-One Boiling & Chilled Free-Flow Vented tap	BC200/175+AV	✓	✓	✓	✓	200	175	2.8	500 x 465 x 395
All-In-One Boiling & Chilled Free-Flow Non-vented tap	BC160/125+A	✓	✓	✓	✓	160	125	2.3	440 x 430 x 337
All-In-One Boiling & Chilled Free-Flow Vented tap	BC160/125+AV	✓	✓	✓	✓	160	125	2.3	440 x 430 x 337
All-In-One Boiling & Chilled Non-vented tap	BC60/85A	✓	✓	✓	✓	60	85	1.7	440 x 430 x 337
Four-In-One Boiling & Chilled Free-Flow	BCH200/175+A*	✓	✓	✓	✓	200	175	2.8	500 x 465 x 395
Four-In-One Boiling & Chilled Free-Flow	BCH160/125+A*	✓	✓	✓	✓	160	125	2.3	440 x 430 x 337
Three-In-One Boiling	BH150F*	✓	–	✓	✓	150	–	1.8	310 x 340 x 393
Three-In-One Boiling	BH100F*	✓	–	✓	✓	100	–	1.5	280 x 323 x 337

Cold water is at ambient temperature. Standard cup is 167ml. Standard glass is 200ml. '+' signifies models are Free-Flow. *These models are supplied with a Zip HydroTap and a separate mixer tap.



Zip HydroTap® OPTIONS

Beautiful finishes and practical options



Colours

Your Zip HydroTap comes in Bright Chrome as standard but several models are also available in these optional colours and finishes. (Not available for the Miniboil Classic and Miniboil Elite from the residential range, nor models in the industrial or mixer range).



Bright Chrome (standard)



Brushed Chrome



Black Chrome



Gold Plated

Warranty



STANDARD 12 month warranty

All Zip HydroTap models are covered by a full 12 month on-site parts and labour warranty. However, no warranty applies to filtration cartridges installed with the appliance as cartridge life varies according to water quality and usage.



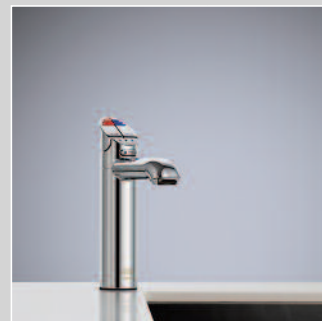
EXTENDED 24 month warranty

The standard Zip HydroTap warranty above can be extended for all Residential models in the DOM range used for domestic purposes. This extended warranty excludes the Miniboil range and is subject to product registration, by post or online, within 6 months of purchase.

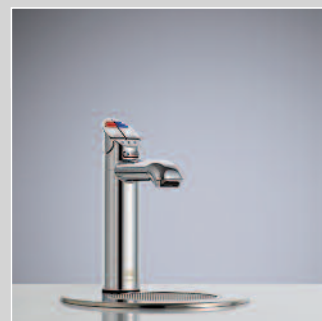
Full warranty details at www.zipheaters.co.uk/warranty

Font Kit

Your Zip HydroTap can also be ordered with a matching font and drain kit for mounting remotely from the sink. The font kit includes a 100 mm shank extension which can be used to elevate the tap allowing for easier filling of lager water jugs, cafetieres and cooking pots.



Zip HydroTap on sink.



Zip HydroTap on font without shank extension.



Zip HydroTap on font with shank extension.



Zip HydroTap® INSTALLATION



General

The Zip HydroTap must be installed by a suitably qualified contractor in accordance with the instructions supplied.

Zip HydroTap 4-in-1 and 3-in-1 models typically are for use where a dishwasher is the primary means of washing dishes.

Positioning

The tap should be located either adjacent to a suitable sink, or on a Zip Tap Font. For sink use the tap should be mounted to dispense into the sink. The under-counter unit should be located, where possible, directly beneath the tap and not more than 1 metre away. Allowance should be made for the recommended clearances around the unit. The tubing should be taut for correct drainage with no loops or dead-legs.

Plumbing

The water supply must be potable (drinkable) and deliver at least 2 litres per minute. Minimum water pressure is 2 bar for 3-in-1 and 4-in-1 and 0.7 bar for all other products. If static pressure exceeds 7 bar, a pressure reducing valve must be fitted. An isolating valve should be installed between the water supply and the under-counter system.

Electrical

To be wired to a double pole switched fused spur with a minimum break capacity of 13 amps. Installation must comply with current IEE regulations.

Ventilation

It is essential that the cupboard containing the under-counter unit is adequately ventilated as poor air circulation will adversely affect the performance of the system. Cupboard doors must be offset all round for ventilation, using the 4mm buffers provided and vent supplied. If it is not possible to fit the vent in the cupboard door then consideration should be given to installing it in the side wall of the cupboard to dissipate heat to the adjoining area. Where limited ventilation is available it is strongly recommended that the optional auxiliary fan ref: SP90651 is used. (Supplied as standard on 150/175 and 200/175+ models).

Filtration

In areas where hard water is an issue, it is strongly recommended that a special limescale filter (FL3000) is fitted. In these circumstances the filter must be changed within the specified period. A Scale Management Programme is also available.

Service

Zip has the largest team of directly employed Engineers in the UK solely focussed on boiling and chilled water products. It also offers a range of preventative maintenance plans providing filter replacement, sanitisation, inspection and adjustment.

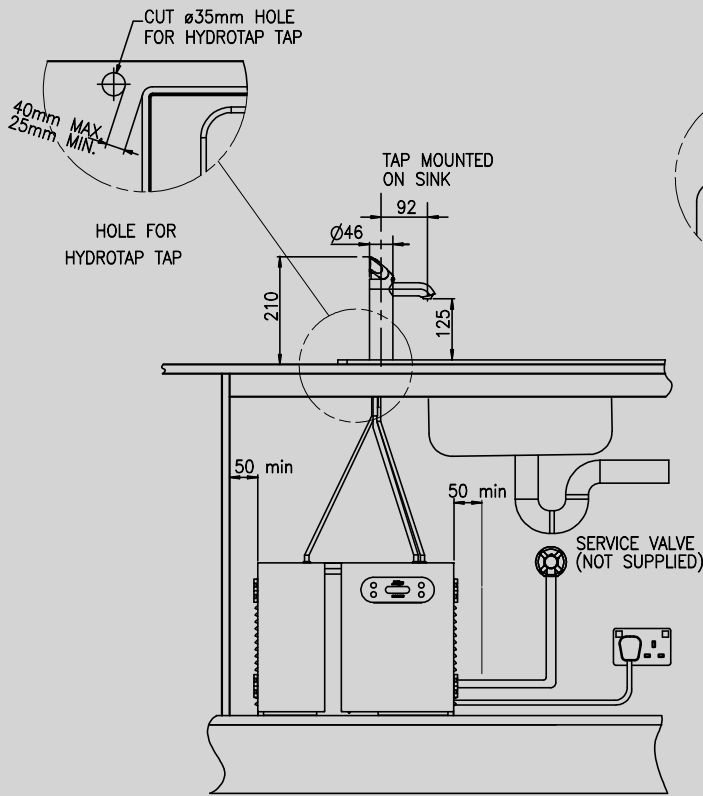
Oversize handles



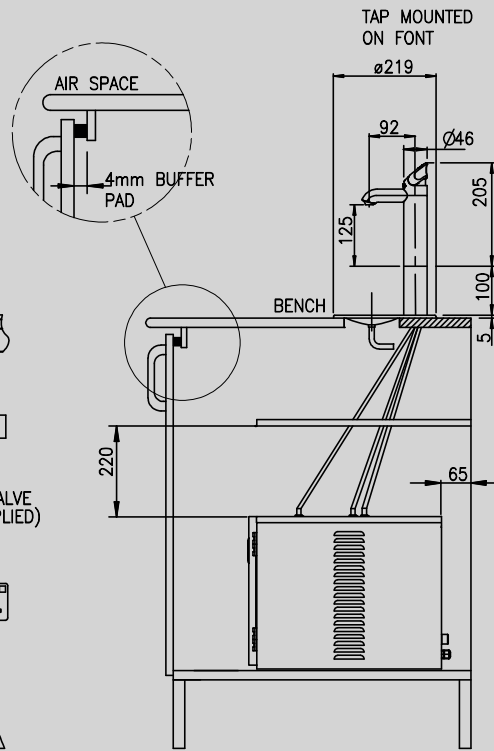
All HydroTap models except those in the Miniboil and Industrial ranges can be fitted with oversize handles to cater for those with restricted dexterity



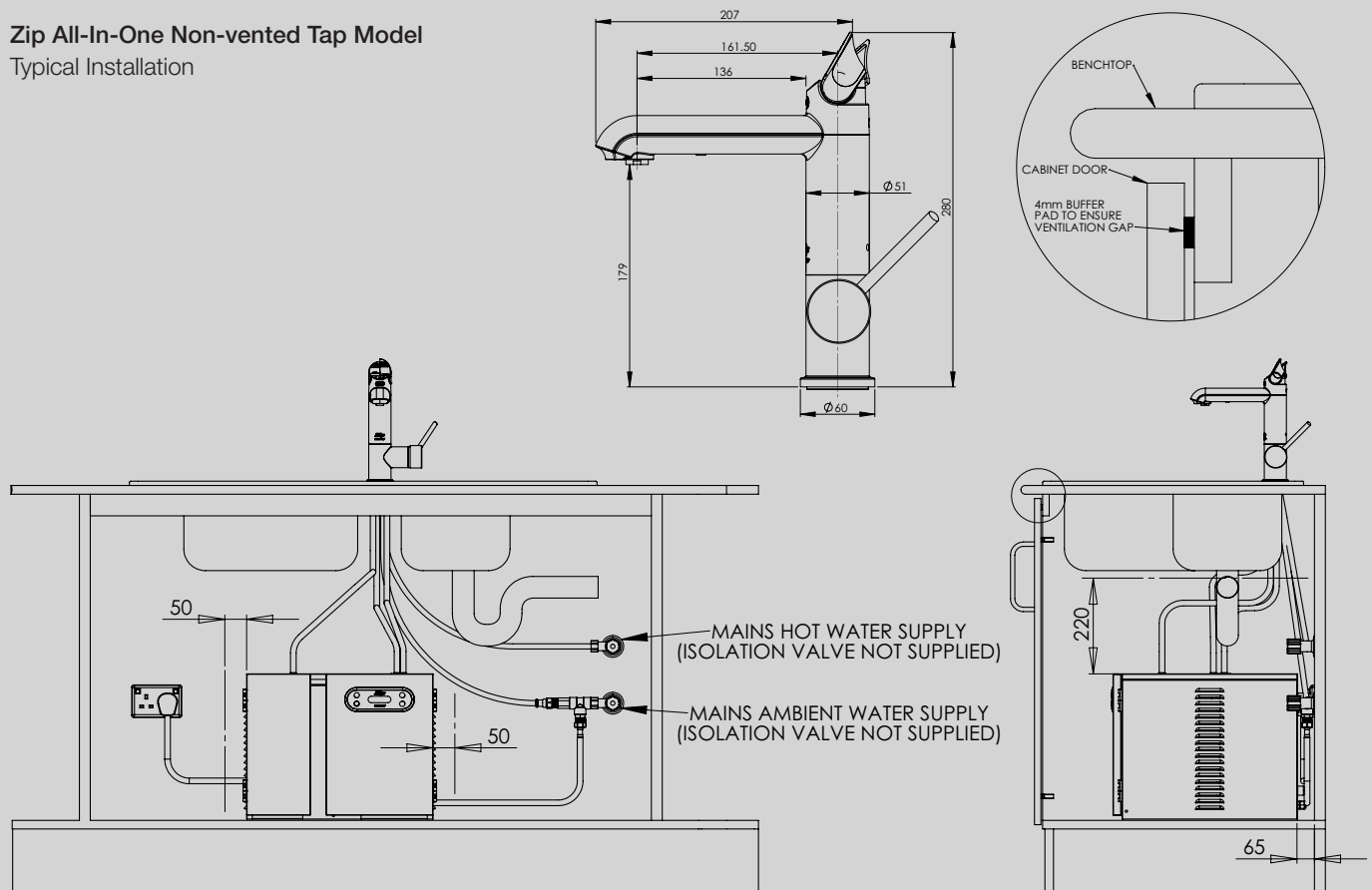
Typical Zip HydroTap Model
Installation on sink



Typical Zip HydroTap Model
Installation on front



Zip All-In-One Non-vented Tap Model
Typical Installation





Instant Boiling Water

0845 602 4533

www.zipheaters.co.uk

Zip Heaters (UK) Ltd

14 Bertie Ward Way

Dereham

Norfolk

NR19 1TE

sales@zipheaters.co.uk

Also in:

Australia

China

Germany

Hong Kong

New Zealand

Singapore

South Africa

Taipei

Thailand

Notice.

Products shown in this brochure are protected by international patents including patent 2005230702 and patent 2005222440. Copyright 2010 Zip Heaters (UK) Ltd.

Zip reserves the right to change product specifications without notice. Whilst every endeavour is made to ensure accuracy no responsibility is taken for any errors or emissions in data.

The terms "Zip", "HydroTap", "Hydroboil", and "Power Pulse" are trade marks.