

Zip[®]
Instant Boiling Water

Treat yourself to
a new way of life.

Boiling filtered water, instantly. Chilled filtered water, instantly. Both from the one tap!



Zip HydroTap[®]

The world's newest kitchen sensation.



Welcome to the latest catalogue of Zip HydroTap boiling and chilled filtered water systems for the home.

Whichever model you choose, you can be quite certain of one thing. Nobody offers you a more advanced **boiling or chilled filtered water system** for your home than Zip. Because nobody **knows** instant boiling water like Zip.

About thirty years ago, a handful of dedicated Australians at Zip set out to show the world a **better way to boil water**. Instead of setting a kettle of cold water on a stove and waiting minutes for it to boil, Zip found an energy-efficient way to **store water at boiling point**, ready for instant use.

Today, in the UK alone some 8 million cups of tea or coffee are made each day using Zip instant boiling water systems, in homes, public buildings, hospitals, schools, offices and factories. Internationally our products are used in more than 50 countries, as well as in every region of Australia.

Zip is the **world leader** in instant boiling water and sets the technological pace in time-saving, energy-saving, water conservation and user-safety.

You can be confident that the Zip HydroTap you choose today is a sound investment - because it is by far the **best of its kind**, designed to save you time, energy and money every day, for many years to come.

Michael Crouch

Michael Crouch AO
Executive Chairman
Zip Industries (Aust) Pty Ltd



Contents

4-5	Zip HydroTap Compact	Boiling & chilled filtered water instantly
6-7	Zip HydroTap All-In-One	Boiling, chilled, hot & cold water
8-9	Zip HydroTap Miniboil	Boiling and cold filtered water
10-11	Zip Chilltap Extra	Filtered chilled or cold drinking water
12-13	So much Faster!	Saving time with your Zip HydroTap
14-15	So much Healthier!	A healthier lifestyle with filtered water
16-17	So much Safer!	Safety features others can't match
18-19	So much Greener!	Energy-saving and water-saving features



Zip is the clear UK market leader in instant boiling water systems with our products in daily use in tens of thousands of locations

New Zip HydroTap® Compact for the home

The most advanced boiling and chilled filtered water system yet.



No waiting for water to boil. You can fill a large cafetierre or teapot in seconds.



Gold Plated



Brushed Chrome



Black Chrome

Features

- Boiling filtered water, instantly.
- Chilled filtered water, instantly.
- Boiling and chilled temperature status indicators.
- Fingertip control for filling cups.
- Hands-free filling for large vessels.
- Safety lock requires finger/thumb operation to access boiling water.
- Safety lock activated indicator light.
- Boiling water supply can be isolated.
- Precise boiling temperature control.
- Optional energy saving sleep mode powers down or powers off after 2 hours non-use.
- Sleep mode indication.
- System returns to normal operation from sleep mode when tap next used.
- Programmable 24/7 timer shuts system down during periods of known inactivity.
- Superior submicron filtration.

Benefits

- Boiling filtered water always on tap for tea, coffee, hot drinks and cooking.
- Chilled filtered water always on tap for great-tasting, healthier drinks.
- Eliminates kettles and kettle leads.
- Energy-efficient, reduces running costs.

Options

- Install at the sink or on an optional 'font' (away from sink) to accommodate larger vessels.
- Tap finishes: bright chrome, brushed chrome, black chrome, or genuine gold plated.
- Scale management filter.



No need to buy bottled water when you have chilled filtered water on tap.

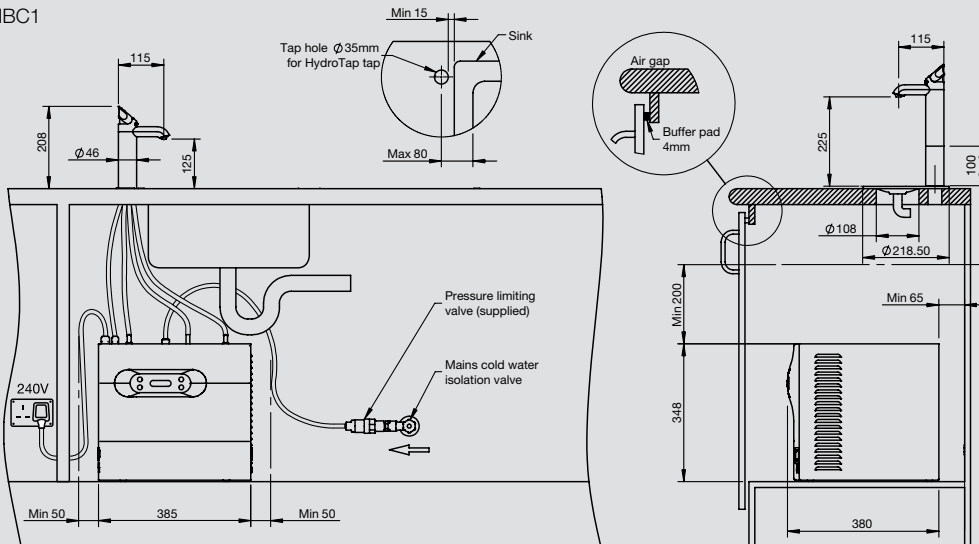


Zip HydroTap at sink.



Zip HydroTap installed on front.

DOMBC1



Optional extras and accessories:

- Tap font ZT004
- Submicron filter replacement cartridge ZT002
- Scale management filter FL3000 W x D x H (mm) 126 x 106 x 490
- Scale filter replacement cartridge FL3001

Range	Product Code	Boiling Water	Chilled Water	Cold Water	Water Filter	Power Rating (total kW)	Under-Sink W x D x H (mm)
Boiling+Chilled	DOMBC1	✓	✓	✗	✓	1.7kW	385 x 380 x 348
Boiling+Chilled Split System	DOMBC2	✓	✓	✗	✓	1.7kW	280 x 323 x 337 (B) 353 x 253 x 377 (C)
Boiling+Ambient	DOMBA1	✓	✗	✓	✓	1.5kW	280 x 323 x 337
Boiling only	DOMHB1*	✓	✗	✗	✗	1.5kW	188 x 320 x 334
Chilled only	DOMC1**	✗	✓	✗	✓	0.3kW	305 x 455 x 340

* 24/7 timer & sleep mode facilities are not available on DOMHB1. ** Sleep mode facility is not available on DOMC1

Zip HydroTap® All-In-One for the home

Boiling, chilled, cold or warm water instantly from a single tap.



New additional energy-saving feature:

Integral light sensor can be set to activate sleep mode whenever room goes dark.



Boiling filtered water instantly, for tea, coffee, cooking.



Cold water, for rinsing fresh foods.



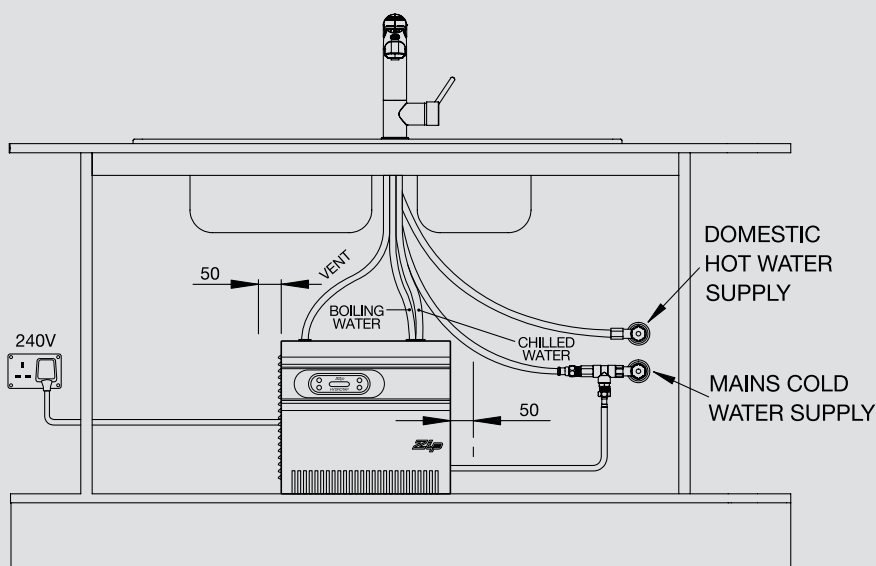
Hot water, for rinsing dishes.



Warm water, for hand washing.



Chilled filtered water, for great tasting drinks.



Optional extras and accessories:

Submicron filter replacement cartridge ZT002

Scale management filter FL3000
W x D x H (mm) 126 x 106 x 490

Scale filter replacement cartridge FL3001

HydroTap Model	Product Code	Boiling Water	Chilled Water	Hot Water	Cold Water	Boiling Chamber	Chilled Chamber	Total Rating	Under-Sink W x D x H (mm)
All-in-One Non-Vented	DOMBC1A	✓	✓	✓	✓	1.8 litre	1.8 litre	1.8kW	385 x 380 x 348

Features

- Boiling filtered water, instantly.
- Chilled filtered water, instantly.
- Plus mixer giving controlled flow of hot, cold or warm water.
- Swivel spout can supply two adjacent sinks.
- Boiling and chilled temperature status indicators
- Fingertip control for filling cups.
- Hands-free filling for large vessels.
- Safety lock requires finger/thumb operation to access boiling water.
- Safety lock activated indicator light.
- Precise boiling temperature control.
- Optional energy saving sleep mode powers down or powers off after 2 hours non-use. Integral light sensor can be set to activate sleep mode.
- Sleep mode indication.
- System returns to normal operation from sleep mode when tap next used.
- Programmable 24/7 timer shuts system down during periods of known inactivity.
- Superior submicron filtration.

Benefits

- Boiling filtered water always on tap for tea, coffee, hot drinks and cooking.
- Chilled filtered water always on tap for great-tasting, healthier drinks.
- Hot water on tap, for plate rinsing.
- Cold water on tap, for rinsing foods.
- Eliminates kettles and kettle leads.
- Energy-efficient, reduces running costs.

Extra Features

- Easily connected to an existing mains potable water supply and domestic hot water system.
- Tap finish: bright chrome.

Zip HydroTap® Miniboil for the home

Boiling and cold filtered water instantly.



Touch red area and safety lock on touch pad for boiling filtered water, instantly.



Touch blue area on touch pad for cold (ambient temperature) filtered water.



Features

- Boiling filtered water, instantly.
- Plus cold (ambient) filtered water.
- Simple touch-pad operation.
- Safety lock requires finger/thumb operation to access boiling water.
- Light flashes when filter change is due.
- Precise boiling temperature control.
- Optional energy saving sleep mode powers down after 2 hours non-use.
- Sleep mode indication.
- System returns to normal operation from sleep mode when tap next used.
- Superior submicron filtration.

Benefits

- Boiling filtered water always on tap for tea, coffee, hot drinks and cooking.
- Cold filtered water always on tap for drinks and your refrigerator jug.
- Eliminates kettles and kettle leads.
- Energy-efficient, reduces running costs.

Options

- Choice of Elite or Classic tap styles.
- Install at the sink or on an optional 'font' (away from sink).
- Tap finish: bright chrome.



Just touch the tap to fill a drinking water bottle with "cold" water in seconds.



Red light flashes slowly when system is in power-saving sleep mode.
White light flashes when filter change is due.



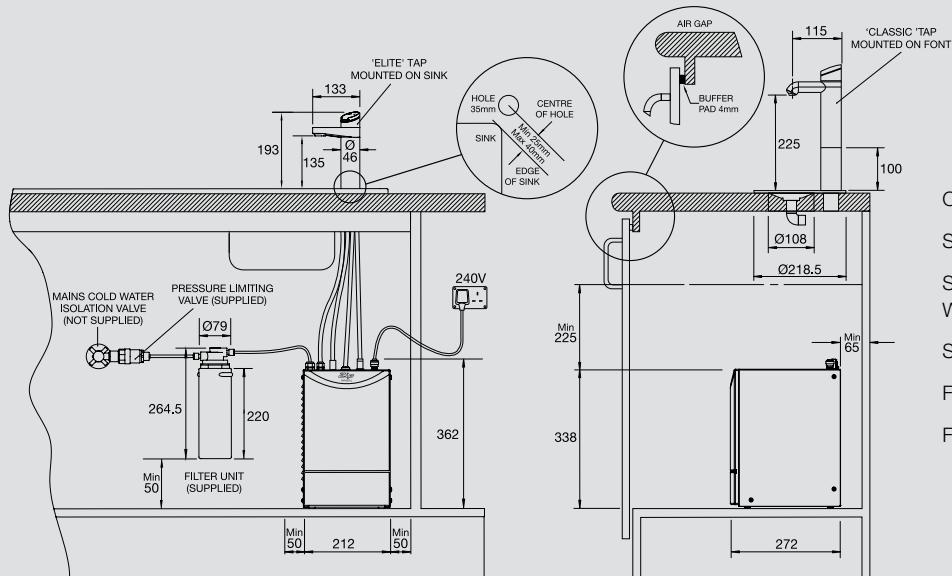
Zip Miniboil Elite



Zip Miniboil Classic



Font mounted Miniboil



- Optional extras and accessories:
- Submicron filter replacement cartridge ZT002
 - Scale management filter FL3000
W x D x H (mm) 126 x 106 x 490
 - Scale filter replacement cartridge FL3001
 - Font and drain for Classic Tap ZT004
 - Font and drain for Elite Tap ZT008

HydroTap Model	Product Code	Boiling Water	Chilled Water	Hot Water	Cold Water	Boiling Chamber	Total Rating	Under-Sink W x D x H (mm)
Miniboil BA Classic	MB1BA	✓	-	-	✓	1.8 litre	2.0kW	212 x 272 x 338
Miniboil BA Elite	MB2BA	✓	-	-	✓	1.8 litre	2.0kW	212 x 272 x 338

New Zip Chilltap Extra for the home

Chilled and cold filtered water instantly.



Chilled filtered water instantly



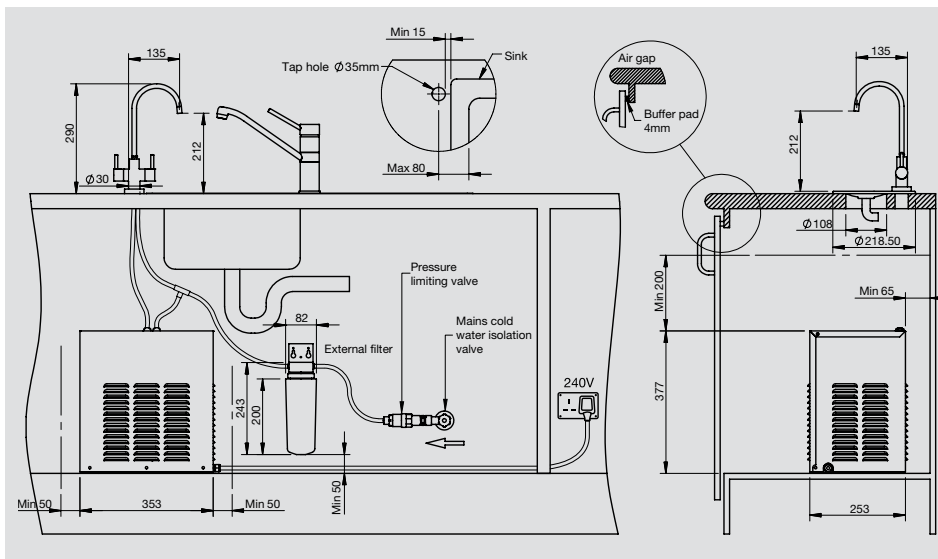
Filtered cold water is always on tap for cooking.

Features

- Chilled filtered water, instantly.
- Plus cold (ambient) filtered water.
- Fingertip control for filling glasses.
- Hands-free filling for large vessels.
- Superior submicron filtration.
- Filter change every 12 months or earlier if necessary.

Benefits

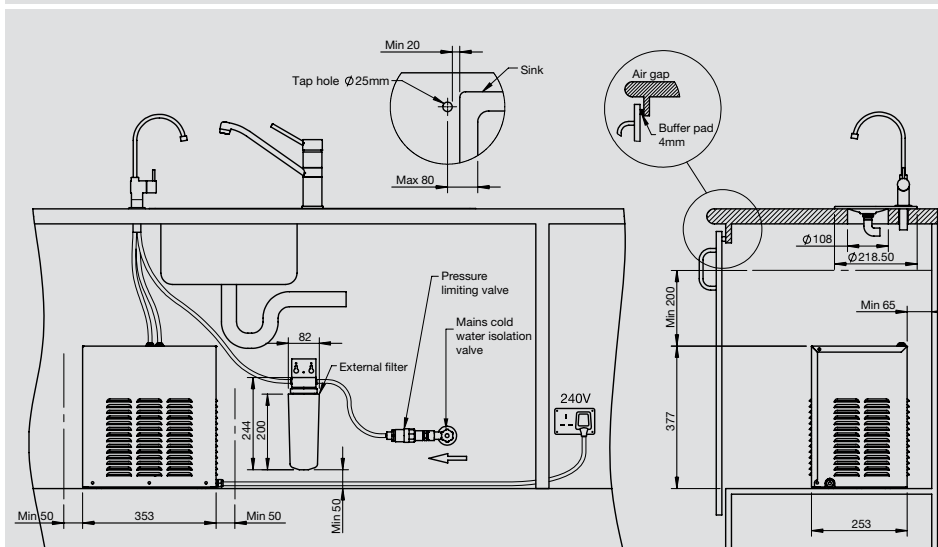
- Chilled filtered water always on tap for great tasting, healthier drinks.
- Cold filtered water is always on tap for drinking and filling up your water jug.



Zip Chilltap Extra

Product Code	Chilled Water	Cold Water	Chilled Glasses per hour	Total Rating
DOMCT1	✓	✓	60	0.245kW

Replacement Submicron triple action filter cartridge. Order Code ZT002



Zip Chilltap

Product Code	Chilled Water	Chilled Glasses per hour	Total Rating
DOMCT2	✓	60	0.245kW

Replacement Submicron triple action filter cartridge. Order Code ZT002

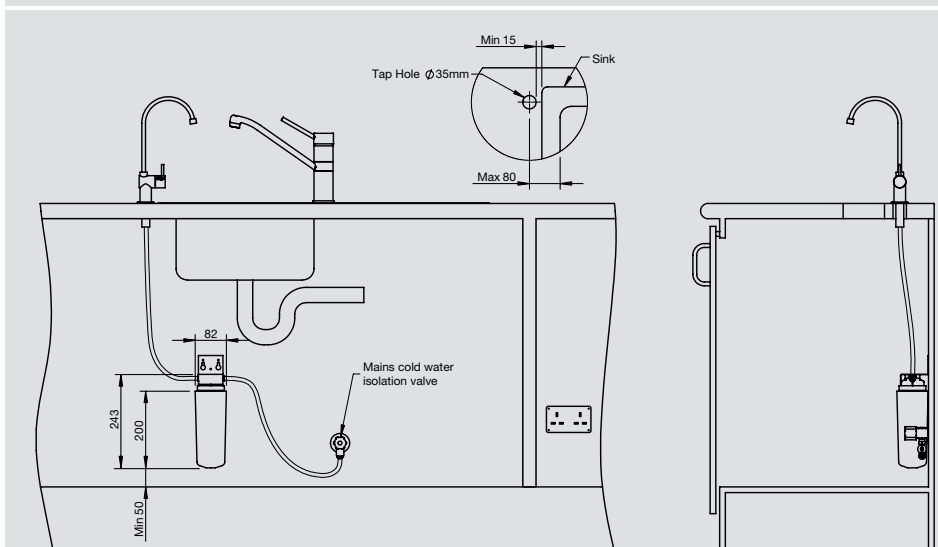


Features

- Chilled filtered water, instantly.
- Fingertip control for filling cups.
- Hands-free filling for large vessels.
- Superior submicron water filter.
- Filter change every 12 months or earlier if necessary.

Benefits

- Chilled filtered water always on tap for great-tasting, healthier drinks.



Zip Filter Tap

Product Code	Cold Water
DOMFT1	✓

Replacement Submicron triple action filter cartridge. Order Code ZT002



Features

- Filtered cold (ambient) water.
- Fingertip control for filling cups.
- Hands-free filling for large vessels.
- Superior submicron water filter.
- Filter change every 12 months or earlier if necessary.

Benefits

- Cold filtered water always on tap for drinks and your fridge jug.

Zip HydroTap® So much Faster

No waiting!
Everything is so much quicker with a Zip HydroTap.



Fast **chilled water** flow rate: fills a personal water bottle in around 7 seconds.



Fast **boiling water** flow rate: fills a big cafetierre in less than 15 seconds.

With a Zip HydroTap in your kitchen you save time and energy every day.



Noodles instantly.



Tea in an instant.



Coffee any time.



Jellies in a flash.



Hot water bottles.



Bottle and toy sanitising.



Faster pasta.



Softening butter.

Zip HydroTap® So much Healthier

Submicron filtration brings you crystal clear, great-tasting water for healthier drinks.



Zip submicron filtration filters out many impurities other filters don't.

Reduces chlorine taste and odour.

Filters out contaminants as tiny as one thousandth of a millimetre.

Reduces parasitic protozoan cysts (*Cryptosporidium* and *Giardia*).

Reduces dirt, rust, asbestos fibres.

Inhibits the accumulation of scale deposits in boiling water tanks.



Zip filters are either mounted on a cupboard wall or hidden out of sight in the under-sink system.



Cartridges are hygienically encased for fast and easy filter replacement every 12 months, or earlier if necessary.



For installations where hard water is an issue we strongly recommend the use of the optional scale management filter (FL3000) which can be installed either in place of, or in conjunction with the submicron system.



Filter change light signals change is due, either based on water volume or days in service.

Zip HydroTap® So much Safer

Zip HydroTap puts you in control of your kitchen safety.





Press the red lever for boiling water.

Gives you fingertip control for filling a cup, mug or pot to exactly the level you want. Release the lever and the flow stops instantly.



Press the blue lever for chilled water.

Gives you fingertip control for filling a glass, jug or bottle to the right level without waste.



Safe and easy hands-free filling.

Flick up either lever, and the water runs for any pre-set* period up to 15 seconds. Avoids steam exposure when filling pots.

* DOMHB1 has a fixed dispense time of 15 seconds.



Activate the safety lock any time.

With safety lock activated, access to boiling water requires finger/thumb operation. Red light confirms when lock is activated.



Limit boiling water access if needed.

To make sure boiling water is unavailable when your kitchen is unattended, simply apply the boiling water isolation feature.**

** Not available on DOMHB1.

Zip HydroTap® So much Greener

Beyond comparison for energy-efficiency,
it also helps you stamp out water wastage.





New technology cuts power consumption.

Power Pulse™ technology reduces power consumption by electronically regulating the power applied during periods of high and low usage.



Tightest temperature control.

Power Pulse™ also maintains the tightest possible temperature control.



Sleeps when inactive.

The system can be pre-set to power down or power off after 2 hours of non use.*



Power down.

Powering down allows the stored boiling water to reduce to an energy saving 65°C, with the system recovering quickly upon further draw off.



Power off.*

Powering off allows the boiling water to gradually cool to ambient temperature with the boiling cycle resuming at the next draw off.



Programmable 24/7 timer.

Pre-set the "power on" and "power off" times for those periods when the Zip HydroTap will not be used, such as overnight or when the house is unoccupied.



Cuts down water wastage.

Zip HydroTap only dispenses the water that you need so there is no water wasted by over-filling kettles.

* Miniboil powers down only.

Feature not available on Miniboil.

NB: DOMHB1 has no sleep mode or timer.

What is the energy cost of your Zip HydroTap?

Costs vary according to power supplier and your usage. Assuming a cost of 10p per kW and with sleep mode operating 10 hours in 24, estimated energy cost is less than 10p per day. The estimated added cost for heating and chilling water dispensed is:

Boiling water = eight 167ml cups for 1p
(that's 800 cups for £1).

Chilled water = twenty 200ml glasses for 1p
(that's 2,000 glasses for £1).

Zip HydroTap[®] Your Soundest Choice

Zip HydroTap is better designed, better built and better supported than any comparable boiling and chilled filtered water system.

Zip has the largest and most established network of directly employed engineers covering the UK, for support, service and maintenance.

Zip offers you the convenience of either a filter replacement reminder service or an on-going maintenance contract. For more details call 01362 852222.

Commissioning

Zip offers a free, on-site, post installation commissioning service to ensure your HydroTap is functioning correctly and set to achieve optimal efficiency.

Warranty



All Zip residential HydroTap models except Miniboil are covered by a full 24 month on site parts and labour warranty subject to registration.



Miniboil is covered by a 12 month on site parts and labour warranty. For full warranty details please visit www.zipheaters.co.uk

The Zip HydroTap Miniboil and Zip Residential HydroTap are specifically designed for use in domestic environments. Use of these products in commercial applications may invalidate their warranties.

Please note Filter life may vary according to water quality and usage. Consequently filter replacement is excluded from the above warranties.



Zip Heaters (UK) Ltd

14 Bertie Ward Way

Dereham

Norfolk

NR19 1TE

01362 852222

www.zipheaters.co.uk

Brochure No. ZRTYS/07/11